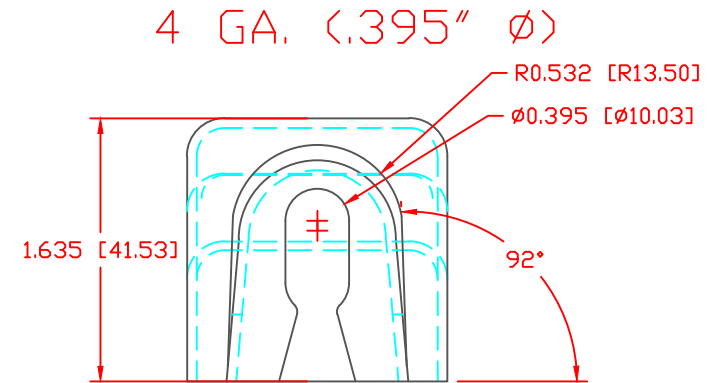
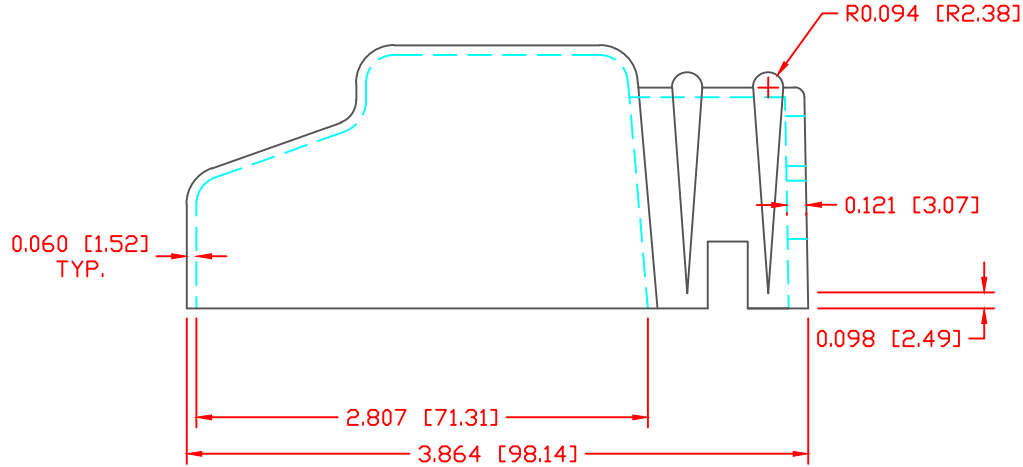


THE INFORMATION CONTAINED IN THIS DRAWING IS THE SOLE PROPERTY OF VTE INCORPORATED. ANY REPRODUCTION IN PART OR WHOLE WITHOUT THE WRITTEN PERMISSION OF VTE INCORPORATED IS PROHIBITED. VTE MAKES NO WARRANTY, EXPRESSED OR IMPLIED, AS TO THE SUITABILITY OF A PRODUCT FOR ANY INTENDED USE. THE CUSTOMER SHALL BEAR THE SOLE RESPONSIBILITY OF DETERMINING THE SUITABILITY OF ANY VTE PRODUCT FOR ITS END USE.


| LTR. | REVISIONS  | DATE    | INT. |
|------|--|---------|------|
| △    | 165 WAS 162, REVISED TO AGREE WITH PARTS AS MANUFACTURED | 15AUG13 | BRH  |



ALL DIMENSIONS GIVEN AS: In [mm]  
 MOLDED PARTS: ±.030" [±0.8mm]  
 HARDWARE ITEMS: ±.010" [±0.25mm]

|                              |                       |
|------------------------------|-----------------------|
| VTE PART NO:                 | 1101950114            |
| MATERIAL:                    | PVC                   |
| VENDOR PART NO:              | 9812-95-BLACK         |
| SHORE DUROMETER:             | "A" 10 SEC. 95        |
| SPECIFIC GRAVITY:            | 1.5                   |
| ULT. ELONGATION %:           | 200                   |
| MELTING TEMP:                | 345-365 F [174-185 C] |
| Tensile Strength PSI:        | 2100                  |
| Dielectric Strength, v./mil: | 384                   |
| U.L. Rating:                 | V2                    |

DO NOT SCALE

|   |           |   |       |
|---|-----------|---|-------|
|  |           | <b>VTE Incorporated</b><br>5437 Robinson Road, P.O. Box 790<br>Pellston, Michigan 49769<br>Telephone: 1-800-527-9256, 231-539-8000<br>FAX: 231-539-0914 |       |
|   |           | REF:  | DATE: |
| CUSTOMER DIMS   | 24MAR10   | CHK'D BY: BRH   |       |
| TITLE: BATTERY TERMINAL INSULATOR   |           |   |       |
| MATERIAL: PVC   |           | PART NO.  |       |
| COLOR: BLACK  | DRG CLASS | 455N4V14  |       |