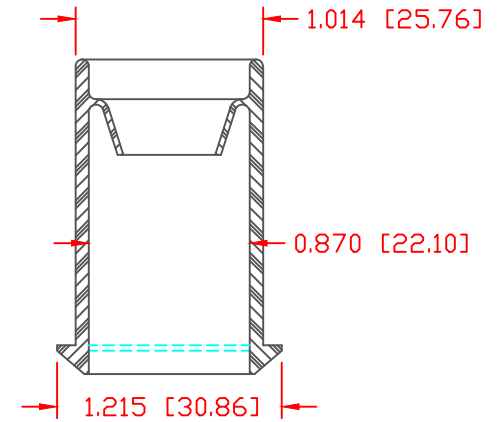
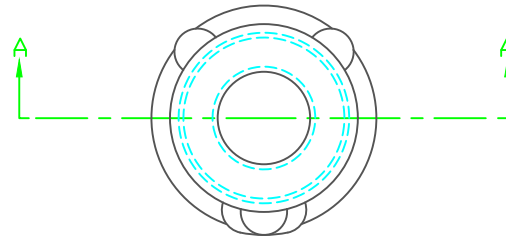
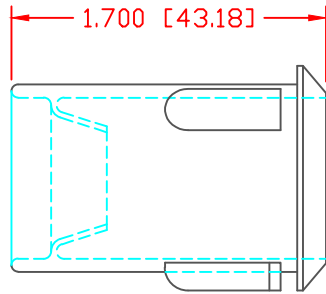


THE INFORMATION CONTAINED IN THIS DRAWING IS THE SOLE PROPERTY OF VTE INCORPORATED. ANY REPRODUCTION IN PART OR WHOLE WITHOUT THE WRITTEN PERMISSION OF VTE INCORPORATED IS PROHIBITED. VTE MAKES NO WARRANTY, EXPRESSED OR IMPLIED, AS TO THE SUITABILITY OF A PRODUCT FOR ANY INTENDED USE. THE CUSTOMER SHALL BEAR THE SOLE RESPONSIBILITY OF DETERMINING THE SUITABILITY OF ANY VTE PRODUCT FOR ITS END USE.

| LTR. | REVISIONS | DATE | INT. |
|------|-----------|------|------|
| | | | |




SECTION A-A

SEAL

| | |
|------------------------------|-------------------|
| PREFERRED VENDOR: | SYLVIN |
| PART NO: | 1101700109 |
| MATERIAL: | BLUE PVC |
| VENDOR PART NO: | 9067-70 BLUE 1812 |
| SPECIFIC GRAVITY: | 1.36 |
| HARDNESS 10 SEC: | 70 |
| HARDNESS SCALE: | A |
| TENSILE STRENGTH, PSI: | 1100 |
| ELONGATION, %: | 310 |
| TEAR STRENGTH, PPI: | 200 |
| FLAME CLASS UL: | HB |
| MELT TEMP., DEGREES F [C]: | 320-340 [160-171] |
| DIELECTRIC STRENGTH, V./MIL: | N/A |

ALL DIMENSIONS GIVEN AS: In [mm]
 MOLDED PARTS: ±.030" [±0.8mm]
 HARDWARE ITEMS: ±.010" [±0.25mm]

| | | | | |
|---|--|---|--------------|-------------------|
|  | | VTE Incorporated 5437 Robinson Road, P.O. Box 790 Pellston, Michigan 49769 Telephone: 1-800-527-9256, 231-539-8000 FAX: 231-539-0914 | | |
| | | REF: | DATE: | DRN BY: JC |
| | | 4-01-98 | CHK'D BY: JC | .018 LBS / 8.5 G. |
| TITLE: 8D BATTERY CAP WIRE SEAL | | | | |
| MATERIAL: PVC | | | PART NO. | |
| COLOR: BLUE | | | 478N9V09 | |
| | | DRG CLASS | | |

DO NOT SCALE