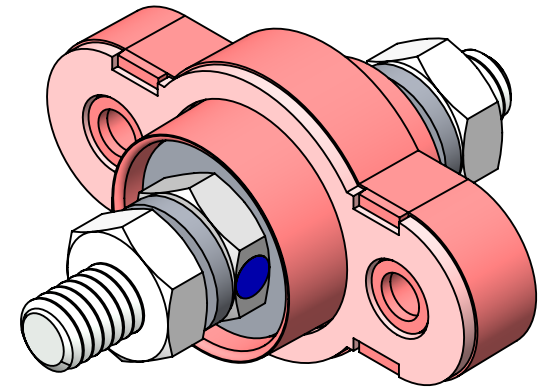


REVISIONS			
REV.	DESCRIPTION	DATE	APPROVED
A	Updated Fastener Torque Values	1-24-23	RAS



BULK PACKED SEPARATELY			
ITEM NO.	PART NUMBER	DESCRIPTION	QTY.
1	3841-003	10-32 18-8 Stainless Steel Lock Nut	2
2	3960-004	Norseal Red Silicone Gasket	1
3	3737-003	10-32 18-8 Stainless Steel Panhead Sealing Screw .625"	2

ITEM NO.	PART NUMBER	DESCRIPTION	QTY.
4	326D1N02	Glass Filled Nylon Housing (Red)	1
5	3645-000	5/16" 18-8 Stainless Steel Flat Washer	1
6	3642-000	5/16" 18-8 Stainless Steel Lock Washer	2
7	3961-000	5/16"/ 8mm Buna-N O-Ring	1
8	3739-005	5/16"-18 Nickel Plated Brass Double Ended Stud	1
9	3843-800	5/16"-18 Tin Plated Brass Heavy Hex Jam Nut	1
10	3843-009	5/16-18 316 Stainless Steel Heavy Hex Nut	2

MAXIMUM VOLTAGE : 0 - 48 VDC  
 MAXIMUM AMPERAGE : 250 AMPS @ 12 VDC

MATERIAL PART NO: 7111210502  
 MATERIAL: GLASS FILLED NYLON  
 HYLON N2015 NAT  
 VENDOR PART NO:

MAX 5/16" FASTENER TORQUE: 102 IN./LBS. [11.5 Nm]  
 MAX 10-32 FASTENER TORQUE: 31.7 IN./LBS. [3.58 Nm]

Assembly Weight : 0.41 Lbs. [186.1 g]  
 Assembly Color : Red

ALL DIMENSIONS GIVEN AS : INCH [METRIC]  
 TOLERANCES UNLESS OTHERWISE SPECIFIED :  
 MOLDED PRODUCTS : ±.030" / ±0.8mm  
 HARDWARE PRODUCTS : ±.010" / ±0.25mm

PRINTED COPIES ARE NOT CONTROLLED  
**PROPRIETARY AND CONFIDENTIAL**  
 THE INFORMATION CONTAINED IN THIS DRAWING IS THE SOLE PROPERTY OF VTE INCORPORATED. ANY REPRODUCTION IN PART OR AS A WHOLE WITHOUT THE WRITTEN PERMISSION OF VTE INCORPORATED PROHIBITED.



## VTE INCORPORATED

5437 Robinson Road, P.O. Box 790  
 Pellston, Michigan 49769 USA  
 Telephone : 1-800-527-9256, 231-539-8000  
 Fax : 231-539-0914, E Fax : 231-344-5914

REV	<b>A</b>	NAME	RAS	DATE	1-24-23
SIZE	<b>A</b>	CHECKED BY:	PJK	DATE	1-24-23
DO NOT SCALE DRAWING					

TITLE: 5/16" Waterproof Pass Through  
 DWG. NO. **77231W02**