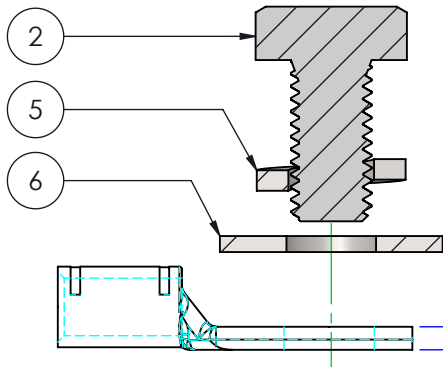
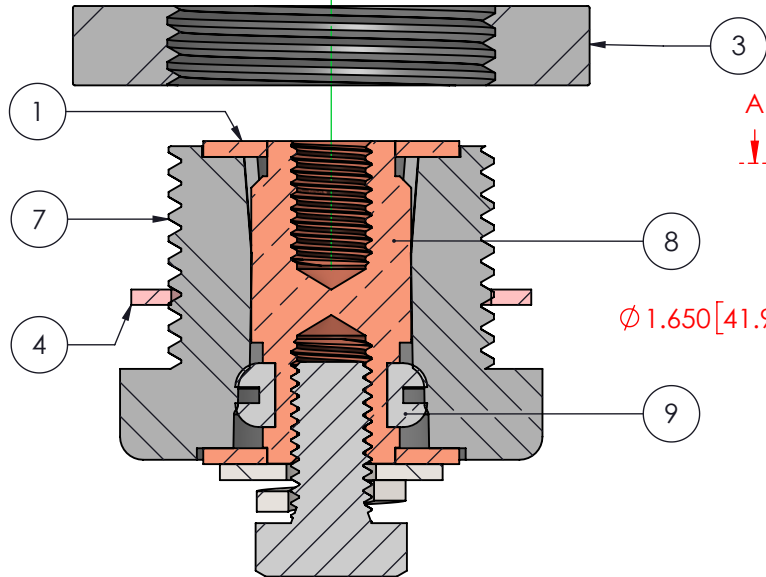
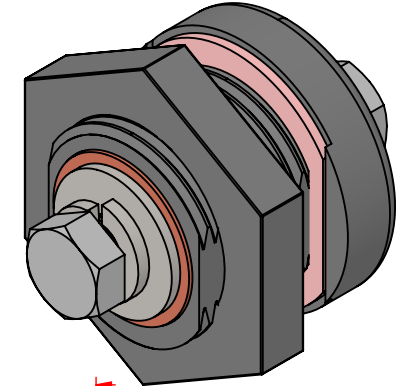
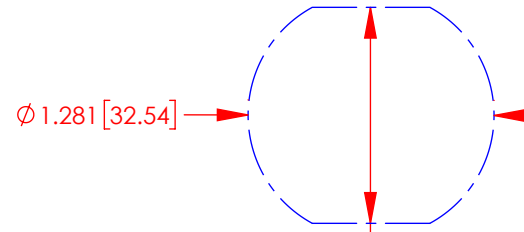


REVISIONS			
REV.	DESCRIPTION	DATE	APPROVED
A	Updated Electrical Values	3/29/2023	RAS

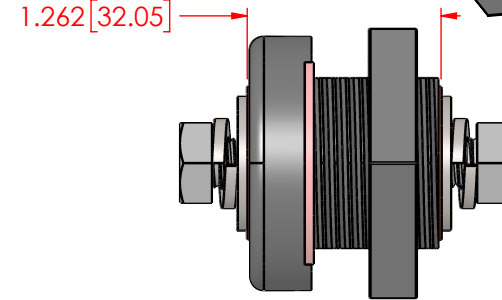
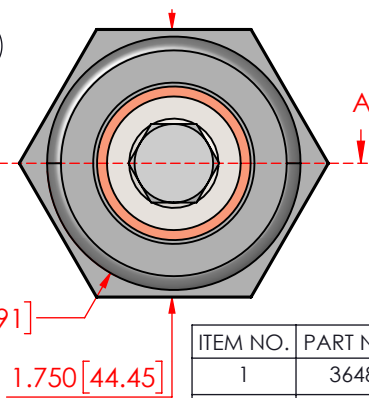


PANEL CUT-OUT

0.1875 [4.76]
Max Terminal lug
Thickness



SECTION A-A



ITEM NO.	PART NUMBER	DESCRIPTION	QTY.
1	3648-010	1/2" Copper Contact Washer	2
2	3731-003	8mm x 1.25 18-8 Stainless Steel Hex Head Bolt 16mm Long	2
3	359N0N14	Glass Filled Nylon Locking Nut (Black)	1
4	3960-005	Norseal Red Silicone Gasket	1
5	3638-002	M8 18-8 Stainless Steel Lock Washer	2
6	3645-000	5/16" 18-8 Stainless Steel Flat Washer	2
7	362N0N14	Nylon Power Bushing Housing (Black)	1
8	3865-000	8mm x 1.25 Threaded Copper Core	1
9	3962-000	EPDM Rubber Grommet	1

CABLE TEMP RATING :	60c	90c	105c	125c
CURRENT RATING @ 12vdc :	275A	380A	440A	490A
TEMPORARY MAX @ 12vdc :	305A	415A	475A	535A

MAXIMUM VOLTAGE : 48 VDC

MATERIAL PART NO: 1111210514UL
 MATERIAL: GLASS FILLED NYLON
 VENDOR PART NO: HYLON N2015 HL BK

MAX M8 FASTENER TORQUE: 144 IN./LBS. [16.27 Nm]
 MAX NYLON NUT TORQUE: 120 IN./LBS. [13.56 Nm]

Assembly Weight : 0.24 Lbs. [108.8g]

Assembly Color : Black

ALL DIMENSIONS GIVEN AS : INCH [METRIC]
 TOLERANCES UNLESS OTHERWISE SPECIFIED :
 MOLDED PRODUCTS : ±.030" / ±0.8mm
 HARDWARE PRODUCTS : ±.010" / ±0.25mm

PRINTED COPIES ARE NOT CONTROLLED
PROPRIETARY AND CONFIDENTIAL
 THE INFORMATION CONTAINED IN THIS
 DRAWING IS THE SOLE PROPERTY OF
 VTE INCORPORATED. ANY REPRODUCTION
 IN PART OR AS A WHOLE WITHOUT THE WRITTEN
 PERMISSION OF VTE INCORPORATED PROHIBITED.



VTE INCORPORATED

5437 Robinson Road, P.O. Box 790
 Pellston, Michigan 49769 USA
 Telephone : 1-800-527-9256, 231-539-8000
 Fax : 231-539-0914, Efax : 231-344-5914

REV	A	NAME	DATE	TITLE:
SIZE	A	DRAWN BY:	RAS	2-15-23
		CHECKED BY:	PJK	2-15-23
		DO NOT SCALE DRAWING		DWG. NO. ICB086N14