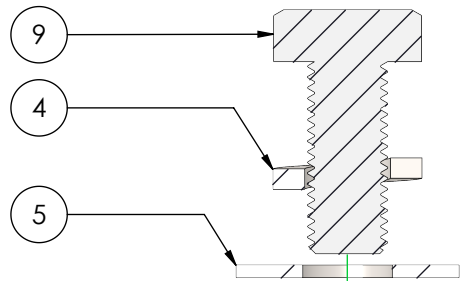
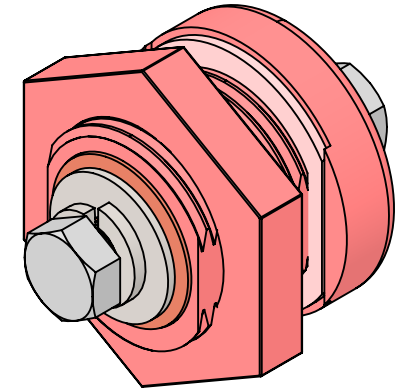
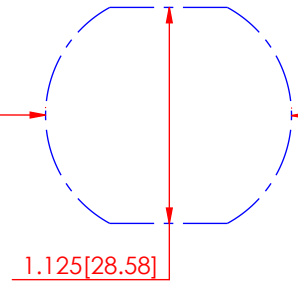


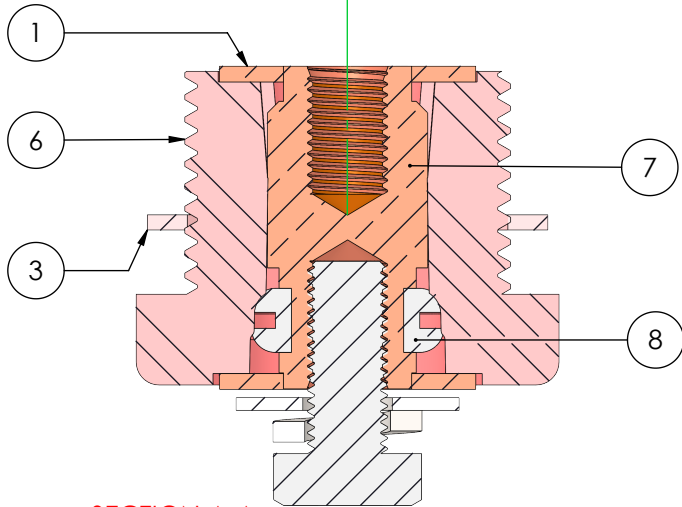
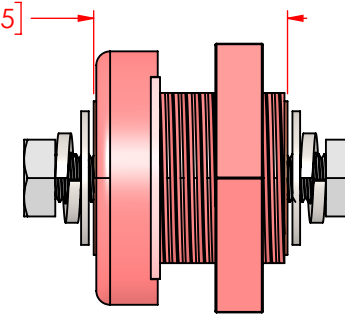
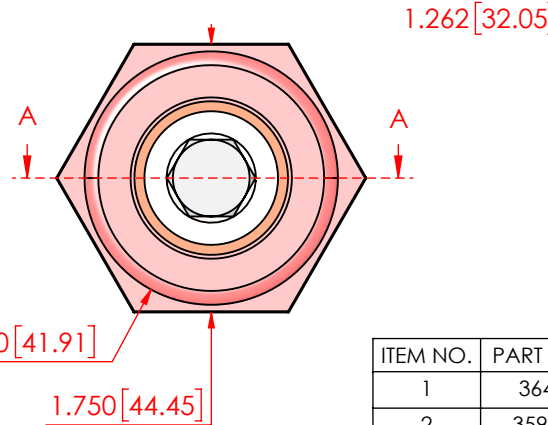
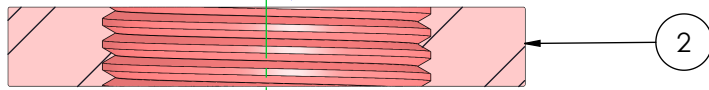
REVISIONS			
REV.	DESCRIPTION	DATE	APPROVED



PANEL CUT-OUT



Terminal Lug Thickness  
Min 0.125[3.17]  
Max 0.3125[7.93]



SECTION A-A

ITEM NO.	PART NUMBER	DESCRIPTION	QTY.
1	3648-010	1/2" Copper Contact Washer	2
2	359NON02	Glass Filled Nylon Locking Nut (Red)	1
3	3960-005	Norseal Red Silicone Gasket	1
4	3638-002	M8 18-8 Stainless Steel Lock Washer	2
5	3645-000	5/16" 18-8 Stainless Steel Flat Washer	2
6	362NON02	Nylon Power Bushing Housing (Red)	1
7	3865-002	5/16"-24 Threaded Copper Core	1
8	3962-000	SBR Rubber Grommet	1
9	3730-018	5/16"-24 18-8 Stainless Steel Bolt .75" Long	2

CABLE TEMP RATING : 60c 90c 105c 125c  
CURRENT RATING @ 12vdc : 275A 380A 440A 490A  
TEMPORARY MAX @ 12vdc : 305A 415A 475A 535A

MAXIMUM VOLTAGE : 48 VDC

MATERIAL PART NO: 7111210502  
MATERIAL: GLASS FILLED NYLON  
VENDOR PART NO: HYLON N2015 NAT

MAX 5/16" FASTENER TORQUE: 144 IN./LBS. [16.27 Nm]  
MAX NYLON NUT TORQUE: 120 IN./LBS. [13.56 Nm]

Assembly Weight : 0.24 Lbs. [108.8g]

Assembly Color : Red

ALL DIMENSIONS GIVEN AS : INCH [METRIC]  
TOLERANCES UNLESS OTHERWISE SPECIFIED :  
MOLDED PRODUCTS : ±.030" / ±0.8mm  
HARDWARE PRODUCTS : ±.010" / ±0.25mm

PRINTED COPIES ARE NOT CONTROLLED  
**PROPRIETARY AND CONFIDENTIAL**  
THE INFORMATION CONTAINED IN THIS DRAWING IS THE SOLE PROPERTY OF VTE INCORPORATED. ANY REPRODUCTION IN PART OR AS A WHOLE WITHOUT THE WRITTEN PERMISSION OF VTE INCORPORATED PROHIBITED.



**VTE INCORPORATED**

5437 Robinson Road, P.O. Box 790  
Pellston, Michigan 49769 USA  
Telephone : 1-800-527-9256, 231-539-8000  
Fax : 231-539-0914, Efax : 231-344-5914

REV	NAME	DATE	TITLE:
SIZE	DRAWN BY:	CHECKED BY:	5/16" Waterproof Power Bushing with .75" Long Bolts
<b>A</b>	RAS	PJK	DWG. NO. <b>ICB318N02</b>
			DO NOT SCALE DRAWING