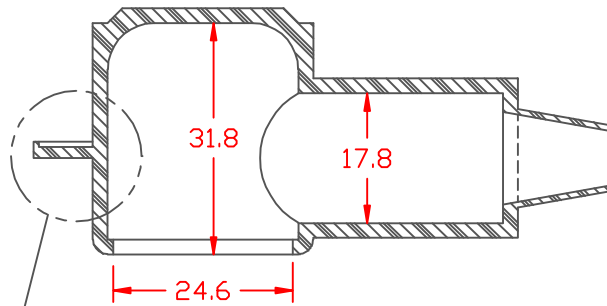


PROPRIETARY RIGHTS ARE CLAIMED FOR THE MATERIAL DISCLOSED IN THIS DRAWING.

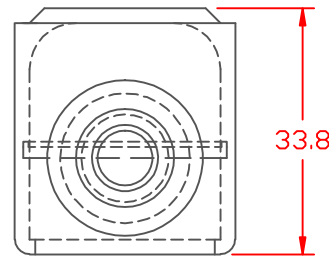
TYP. WALL THICKNESS = 2.0

|      |           |          |
|------|-----------|----------|
| LTR. | REVISIONS | DATE     |
| ≠    | *****     | 00-00-98 |

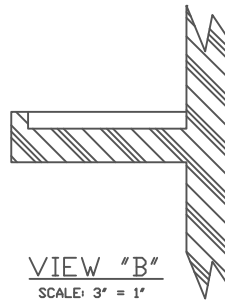
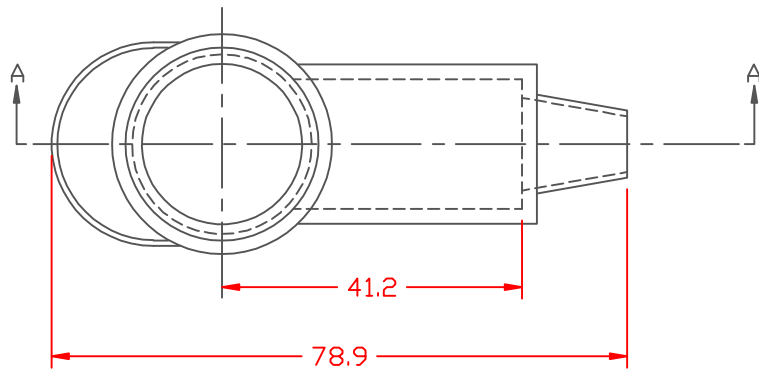


SEE VIEW "B"

SECTION A-A



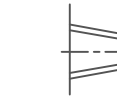
SEAL NO. 2 SHOWN



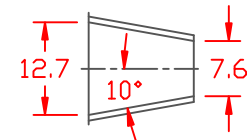
VIEW "B"  
SCALE: 3" = 1"

SEAL OPTIONS

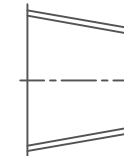
SEAL THICKNESS = .8



NO. 1  
Wire Gages  
18 - 10



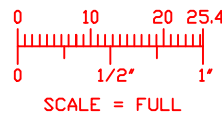
NO. 2  
Cable Gages  
8 - 2

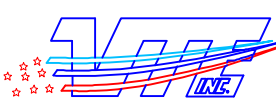


NO. 3  
Cable Gages  
2 - 2/0

TOLERANCE UNLESS OTHERWISE SPECIFIED: ±.030"/±0.8mm  
RADIAL DIAMETERS TO BE MEASURED OVER MANDRELS,  
RING GAGES OR PIN GAGES OF SUITABLE SIZE

|                            |                   |
|----------------------------|-------------------|
| VTE Material Part No:      | 1101650102        |
| Material:                  | RED PVC           |
| Material Part No           | 9812-65-RED683    |
| Max. Operating Temp:       | 105 C             |
| Shore Durometer            | "A" 10 SEC. 67/62 |
| Specific Gravity:          | 1.34              |
| Ult. Elongation %:         | 475               |
| Brittle Temp:              | -44 C             |
| Tensile Strength PSI:      | 1547 PSI          |
| Dielectric Strength, v./ml | 540               |
| U.L. Rating:               | 94 V2             |
| MEETS:                     | FMVSS.302         |





**VTE Incorporated**  
5437 Robinson Road, P.O. Box 790  
Pellston, Michigan 49769  
Telephone: 1-800-527-9256, 231-539-8000  
FAX: 231-539-0914

|                               |                  |                      |                                |
|-------------------------------|------------------|----------------------|--------------------------------|
| REF:                          | DATE:<br>3-24-98 | DRN BY: JC           | WEIGHT:<br>.033 LBS. / 15.1 G. |
| TITLE: TERMINAL INSULATOR CAP |                  |                      |                                |
| MATERIAL:                     |                  | PART NO.<br>226N2V02 |                                |
| COLOR:                        | DRG CLASS        |                      |                                |