

PROPRIETARY RIGHTS ARE CLAIMED FOR THE MATERIAL DISCLOSED IN THIS DRAWING.

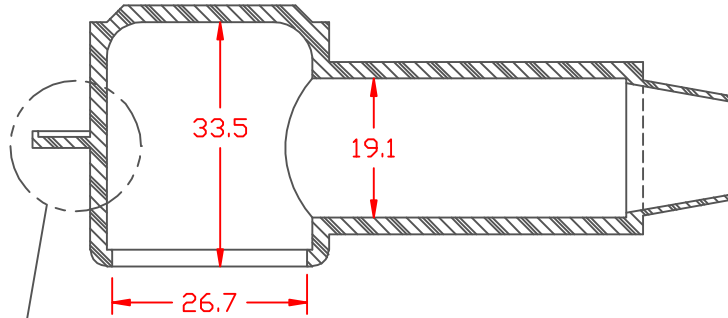
TYP. WALL THICKNESS = 2.3

SEAL NO. 3 SHOWN

LTR.	REVISIONS	DATE
✂	*****	00-00-98

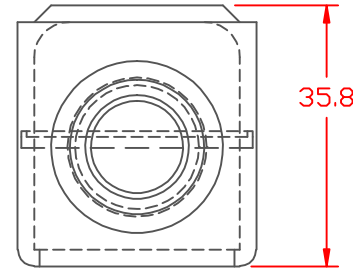
SEAL OPTIONS

SEAL THICKNESS = .8



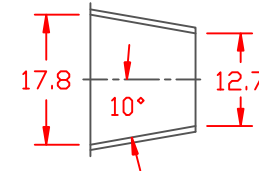
SEE VIEW "B"

SECTION A-A

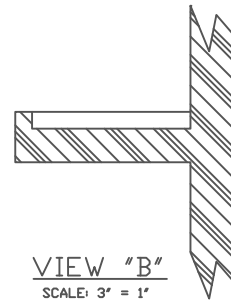
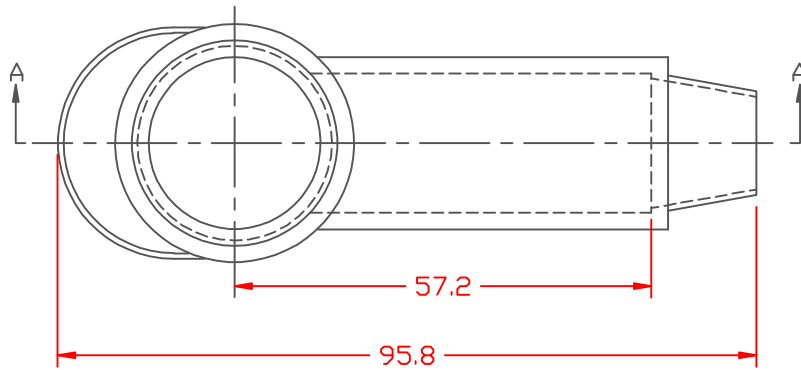


NO. 1
Wire Gages
18 - 10

NO. 2
Cable Gages
8 - 2



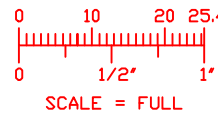
NO. 3
Cable Gages
2 - 2/0

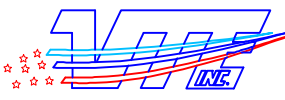


VIEW "B"
SCALE: 3" = 1"

TOLERANCE UNLESS OTHERWISE SPECIFIED: $\pm 0.030"/\pm 0.8\text{mm}$
RADIAL DIAMETERS TO BE MEASURED OVER MANDRELS,
RING GAGES OR PIN GAGES OF SUITABLE SIZE

VTE Material Part No:	1101650102
Material:	RED PVC
Material Part No	9812-65-RED683
Max. Operating Temp:	105 C
Shore Durometer	"A" 10 SEC. 67/62
Specific Gravity:	1.34
Ult. Elongation %:	475
Brittle Temp:	-44 C
Tensile Strength PSI:	1547 PSI
Dielectric Strength, v./ml	540
U.L. Rating:	94 V2
MEETS:	FMVSS.302



		VTE Incorporated 5437 Robinson Road, P.O. Box 790 Pellston, Michigan 49769 Telephone: 1-800-527-9256, 231-539-8000 FAX: 231-539-0914	
		REF:	DATE:
	3-24-98	JC	047 LBS. / 21.5 G.
TITLE: TERMINAL INSULATOR CAP			
MATERIAL:		PART NO.	
		228E3V02	
COLOR:	DRG CLASS		