

PROPRIETARY RIGHTS ARE CLAIMED FOR THE MATERIAL DISCLOSED IN THIS DRAWING.

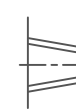
TYP. WALL THICKNESS = 2.3

SEAL NO. 2 SHOWN

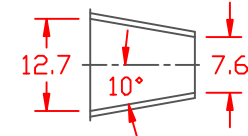
LTR.	REVISIONS	DATE
✳	*****	00-00-98

SEAL OPTIONS

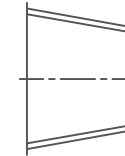
SEAL THICKNESS = .8



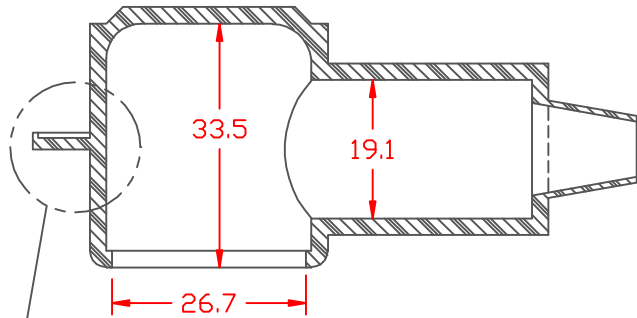
NO. 1  
Wire Gages  
18 - 10



NO. 2  
Cable Gages  
8 - 2

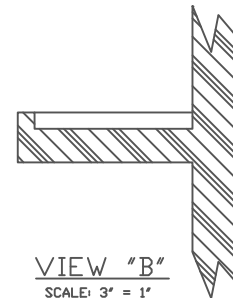
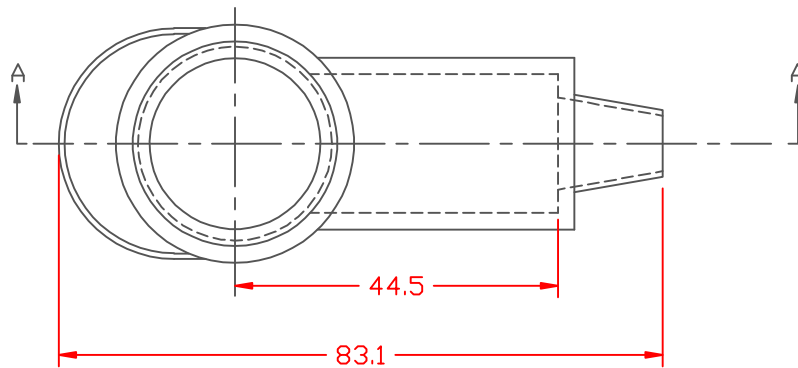
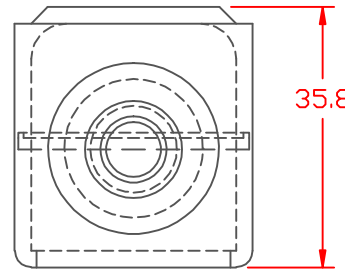


NO. 3  
Cable Gages  
2 - 2/0



SEE VIEW "B"

SECTION A-A




VIEW "B"  
SCALE: 3" = 1"

TOLERANCE UNLESS OTHERWISE SPECIFIED: ±.030"/±0.8mm  
RADIAL DIAMETERS TO BE MEASURED OVER MANDRELS,  
RING GAGES OR PIN GAGES OF SUITABLE SIZE

VTE Material Part No:	1101650102
Material:	RED PVC
Material Part No:	9812-65-RED683
Max. Operating Temp:	105 C
Shore Durometer:	"A" 10 SEC. 67/62
Specific Gravity:	1.34
Ult. Elongation %:	475
Brittle Temp:	-44 C
Tensile Strength PSI:	1547 PSI
Dielectric Strength, v./ml:	540
U.L. Rating:	94 V2
MEETS:	FMVSS.302



		<b>VTE Incorporated</b> 5437 Robinson Road, P.O. Box 790 Pellston, Michigan 49769 Telephone: 1-800-527-9256, 231-539-8000 FAX: 231-539-0914		
		REF:	DATE:	DRN BY: JC
		3-24-98	CHK'D BY:	.042 LBS. / 19 G.
TITLE: TERMINAL INSULATOR CAP				PART NO.
MATERIAL:			228N2V02	
COLOR:	DRG CLASS			