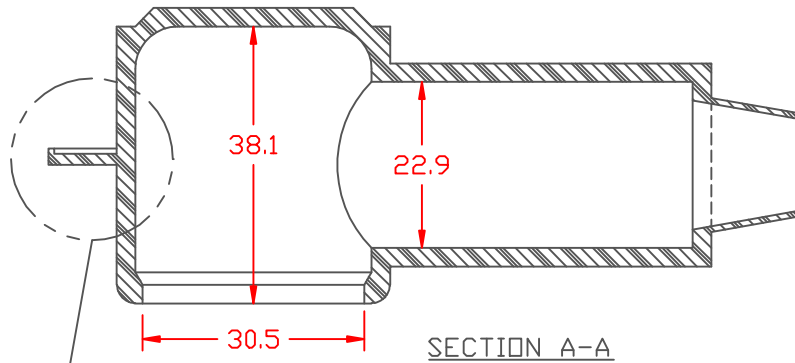


PROPRIETARY RIGHTS ARE CLAIMED FOR THE MATERIAL DISCLOSED IN THIS DRAWING.

TYP. WALL THICKNESS = 2.5

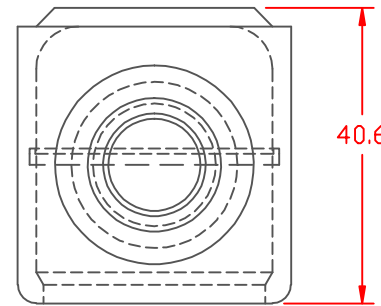
LTR.	REVISIONS	DATE
✳	*****	00-00-98



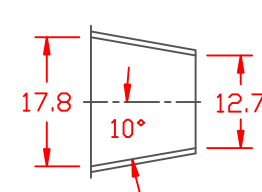
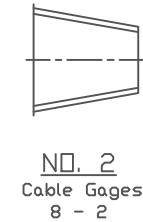
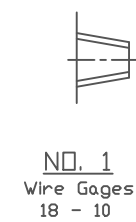
SECTION A-A

SEAL NO. 3 SHOWN

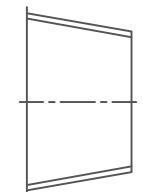
SEE VIEW "B"



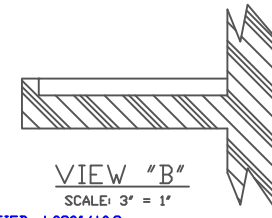
SEAL OPTIONS  
SEAL THICKNESS = .8



NO. 3  
Cable Gages  
2 - 2/0



NO. 4  
Cable Gages  
2/0 - 4/0

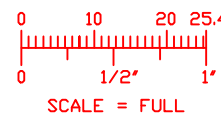


VIEW "B"  
SCALE: 3" = 1"

TOLERANCE UNLESS OTHERWISE SPECIFIED:  $\pm 0.30/\pm 0.8\text{mm}$   
RADIAL DIAMETERS TO BE MEASURED OVER MANDRELS, RING GAGES  
OR PIN GAGES OF SUITABLE SIZE

VTE Material Part No:  
Material:  
Material Part No  
Max. Operating Temp:  
Shore Durometer  
Specific Gravity:  
Ult. Elongation %:  
Brittle Temp:  
Tensile Strength PSI:  
Dielectric Strength, v./ml  
U.L. Rating:  
MEETS:

1101650102  
RED PVC  
9812-65-RED683  
105 C  
"A" 10 SEC. 67/62  
1.34  
475  
-44 C  
1547 PSI  
540  
94 V2  
FMVSS.302



**VTE Incorporated**  
5437 Robinson Road, P.O. Box 790  
Pellston, Michigan 49769  
Telephone: 1-800-527-9256, 231-539-8000  
FAX: 231-539-0914

REF:	DATE: 3-25-98	DRN BY: JC CHK'D BY:	WEIGHT: .068 LBS. / 30.7 G.
TITLE: <b>TERMINAL INSULATOR CAP</b>			
MATERIAL:		PART NO. <b>232E3V02</b>	
COLOR:	DRG CLASS		