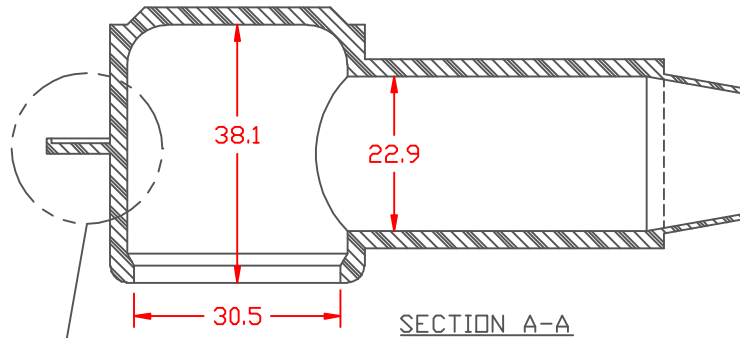


PROPRIETARY RIGHTS ARE CLAIMED FOR THE MATERIAL DISCLOSED IN THIS DRAWING.

TYP. WALL THICKNESS = 2.5

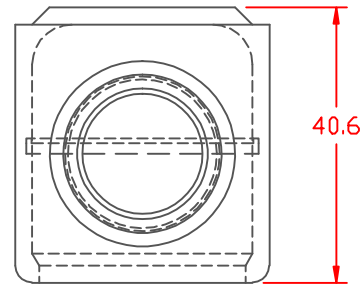
| | | |
|------|-----------|----------|
| LTR. | REVISIONS | DATE |
| ☞ | ***** | 00-00-98 |



SECTION A-A

SEAL NO. 4 SHOWN

SEE VIEW "B"

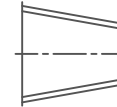


SEAL OPTIONS

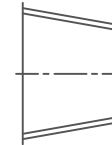
SEAL THICKNESS = .8



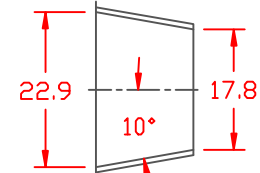
NO. 1
Wire Gages
18 - 10



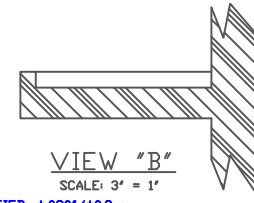
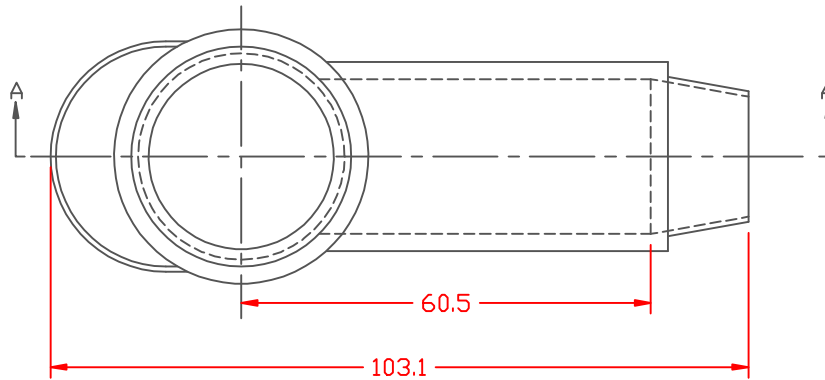
NO. 2
Cable Gages
8 - 2



NO. 3
Cable Gages
2 - 2/0



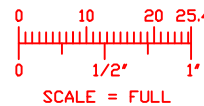
NO. 4
Cable Gages
2/0 - 4/0

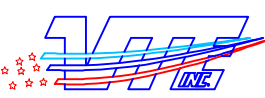


VIEW "B"
SCALE: 3" = 1"

TOLERANCE UNLESS OTHERWISE SPECIFIED: ±.030"/±0.8mm
RADIAL DIAMETERS TO BE MEASURED OVER MANDRELS, RING GAGES
OR PIN GAGES OF SUITABLE SIZE

| | |
|-----------------------------|-------------------|
| VTE Material Part No: | 1101650102 |
| Material: | RED PVC |
| Material Part No: | 9812-65-RED683 |
| Max. Operating Temp: | 105 C |
| Shore Durometer: | "A" 10 SEC. 67/62 |
| Specific Gravity: | 1.34 |
| Ult. Elongation %: | 475 |
| Brittle Temp: | -44 C |
| Tensile Strength PSI: | 1547 PSI |
| Dielectric Strength, v./ml: | 540 |
| U.L. Rating: | 94 V2 |
| MEETS: | FMVSS.302 |



| | | | |
|---|-----------|---|---------------------|
|  | | VTE Incorporated 5437 Robinson Road, P.O. Box 790 Pellston, Michigan 49769 Telephone: 1-800-527-9256, 231-539-8000 FAX: 231-539-0914 | |
| REF: | DATE: | DRN BY: | WEIGHT: |
| | 3-25-98 | JC | .068 LBS. / 30.7 G. |
| TITLE: TERMINAL INSULATOR CAP | | CHK'D BY: | |
| MATERIAL: | | PART NO. | |
| | | 232E4V02 | |
| COLOR: | DRG CLASS | | |