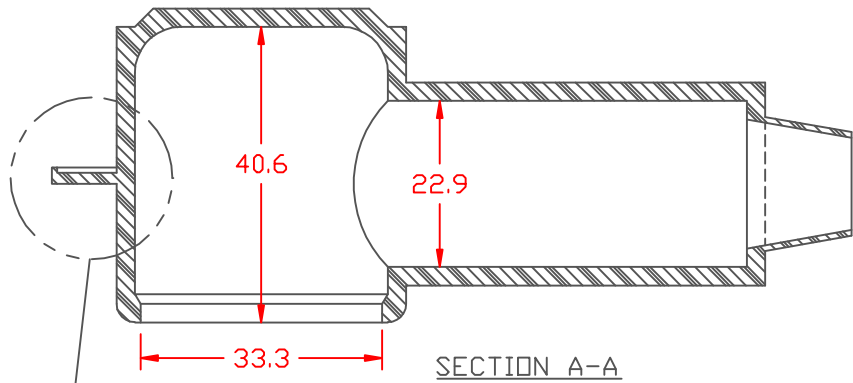


PROPRIETARY RIGHTS ARE CLAIMED FOR THE MATERIAL DISCLOSED IN THIS DRAWING.

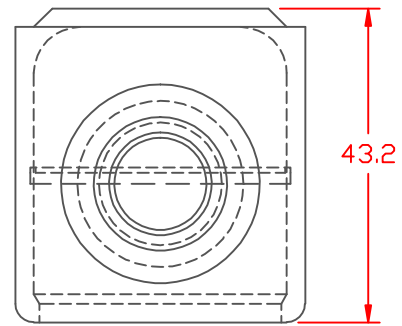
TYP. WALL THICKNESS = 2.3

LTR.	REVISIONS	DATE
✳	*****	00-00-98

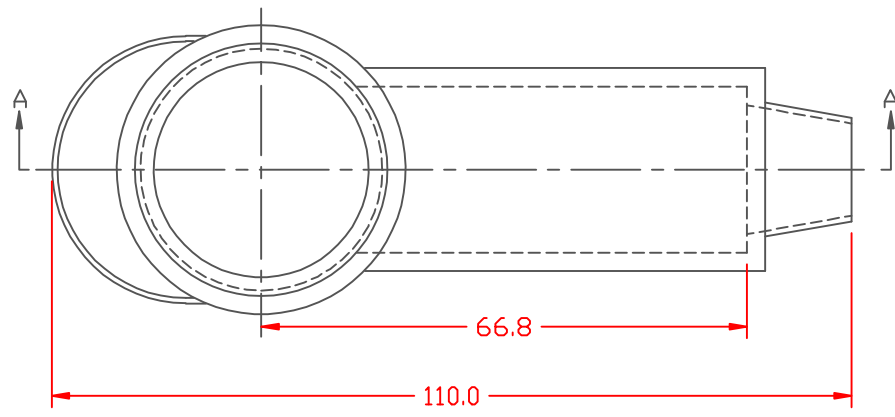
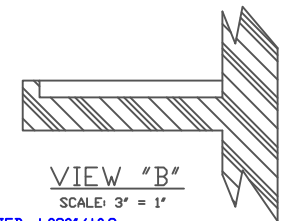
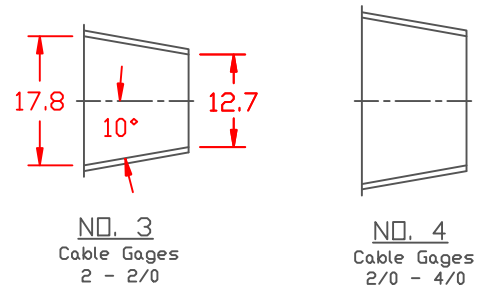
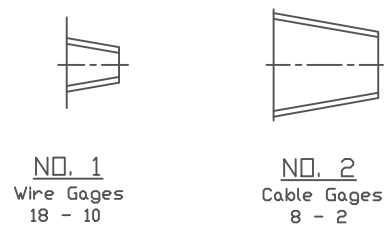


SECTION A-A

SEAL NO. 3 SHOWN

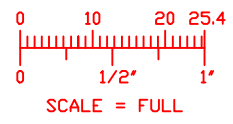


SEAL OPTIONS  
SEAL THICKNESS = .8



TOLERANCE UNLESS OTHERWISE SPECIFIED:  $\pm 0.030 / \pm 0.8mm$   
RADIAL DIAMETERS TO BE MEASURED OVER MANDRELS, RING GAGES OR PIN GAGES OF SUITABLE SIZE

VTE Material Part No:	1101650102
Material:	RED PVC
Material Part No:	9812-65-RED683
Max. Operating Temp:	105 C
Shore Durometer:	"A" 10 SEC. 67/62
Specific Gravity:	1.34
Ult. Elongation %:	475
Brittle Temp:	-44 C
Tensile Strength PSI:	1547 PSI
Dielectric Strength, v./ml:	540
U.L. Rating:	94 V2
MEETS:	FMVSS.302



**VTE Incorporated**  
5437 Robinson Road, P.O. Box 790  
Pellston, Michigan 49769  
Telephone: 1-800-527-9256, 231-539-8000  
FAX: 231-539-0914

REF:	DATE: 3-25-98	DRN BY: JC CHK'D BY:	WEIGHT: 0.078 LBS. / 35.3 G.
TITLE: TERMINAL INSULATOR CAP			PART NO. 234E3V02
MATERIAL:	DRG CLASS		