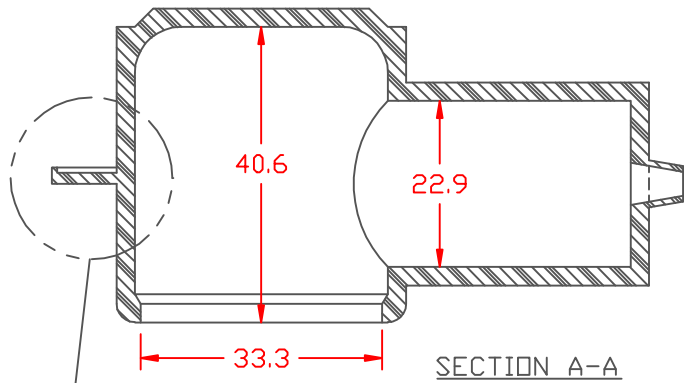


PROPRIETARY RIGHTS ARE CLAIMED FOR THE MATERIAL DISCLOSED IN THIS DRAWING.

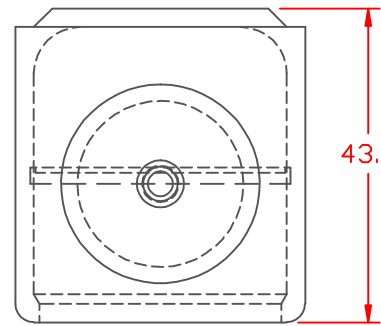
TYP. WALL THICKNESS = 2.5

LTR.	REVISIONS	DATE
✳	*****	00-00-98

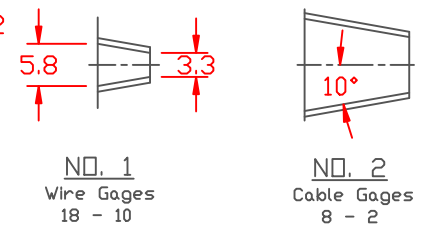


SECTION A-A

SEAL NO. 1 SHOWN

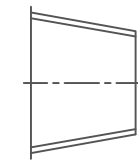


SEAL OPTIONS  
SEAL THICKNESS = .8

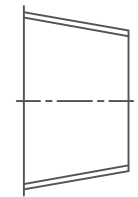


NO. 1  
Wire Gages  
18 - 10

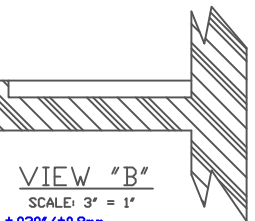
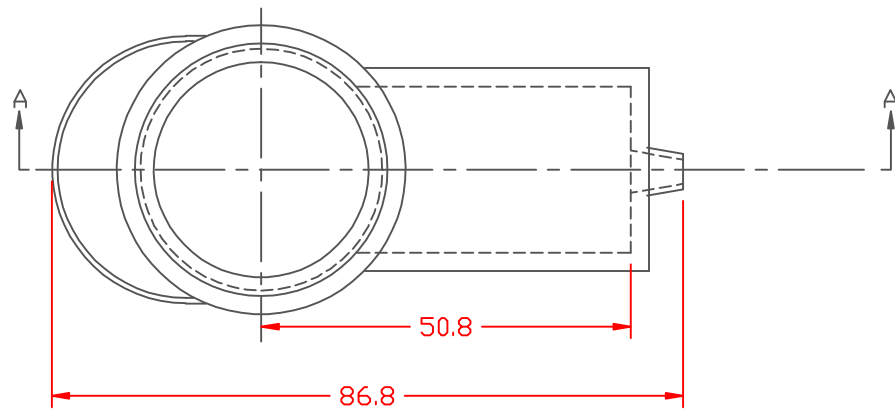
NO. 2  
Cable Gages  
8 - 2



NO. 3  
Cable Gages  
2 - 2/0



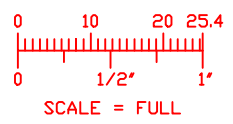
NO. 4  
Cable Gages  
2/0 - 4/0



VIEW "B"  
SCALE: 3" = 1"

TOLERANCE UNLESS OTHERWISE SPECIFIED: ±.030"/±0.8mm  
RADIAL DIAMETERS TO BE MEASURED OVER MANDRELS, RING GAGES  
OR PIN GAGES OF SUITABLE SIZE

VTE Material Part No: 1101650102  
 Material: RED PVC  
 Material Part No: 9812-65-RED683  
 Max. Operating Temp: 105 C  
 Shore Durometer: "A" 10 SEC. 67/62  
 Specific Gravity: 1.34  
 Ult. Elongation %: 475  
 Brittle Temp: -44 C  
 Tensile Strength PSI: 1547 PSI  
 Dielectric Strength, v./ml: 540  
 U.L. Rating: 94 V2  
 MEETS: FMVSS.302



**VTE Incorporated**  
 5437 Robinson Road, P.O. Box 790  
 Pellston, Michigan 49769  
 Telephone: 1-800-527-9256, 231-539-8000  
 FAX: 231-539-0914

REF:	DATE: 3-25-98	DRN BY: JC	WEIGHT: 067 LBS. / 30.2 G.
TITLE: TERMINAL INSULATOR CAP		PART NO. 234N1V02	
MATERIAL:	DRG CLASS		