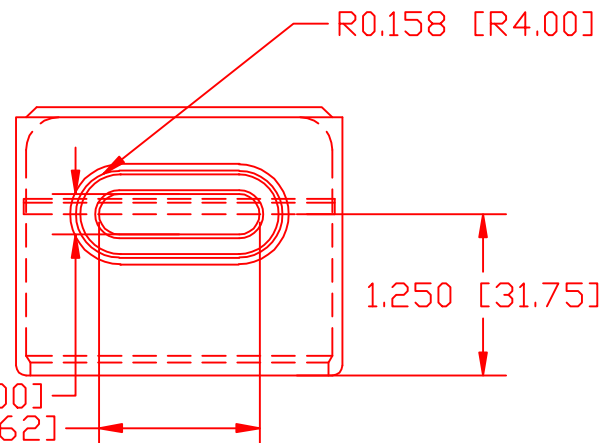
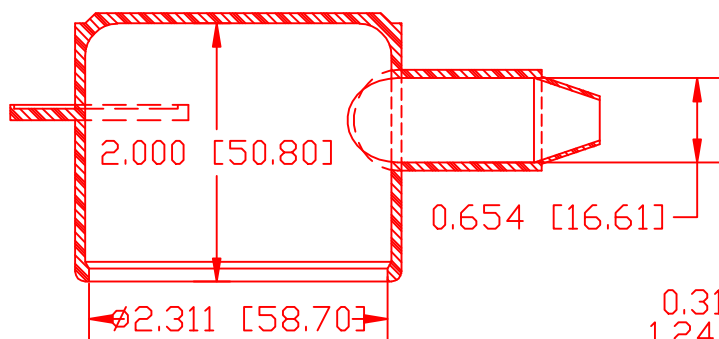
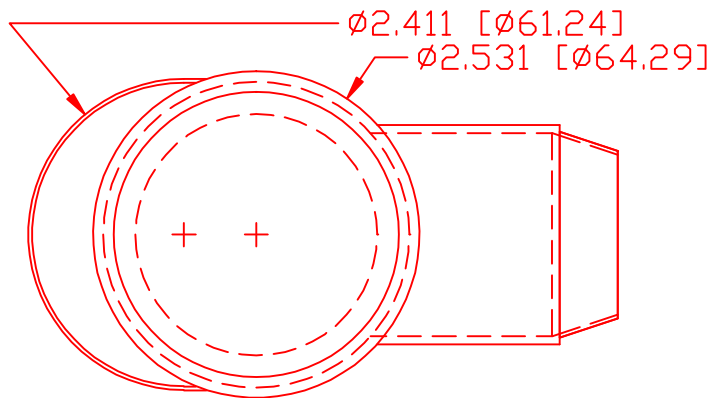


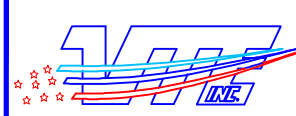
THE INFORMATION CONTAINED IN THIS DRAWING IS THE SOLE PROPERTY OF VTE INCORPORATED. ANY REPRODUCTION IN PART OR WHOLE WITHOUT THE WRITTEN PERMISSION OF VTE INCORPORATED IS PROHIBITED.

LTR.	REVISIONS	DATE
△	2.000" WAS 1.250, 1.250" WAS .660", ADDED FINGER TAB	09OCT03



TOLERANCE UNLESS OTHERWISE SPECIFIED: $\pm 0.30' / \pm 0.8\text{mm}$
 RADIAL DIAMETERS TO BE MEASURED OVER MANDRELS,
 RING GAGES OR PIN GAGES OF SUITABLE SIZE

VTE Material Part No: 1101650102
 Material: RED PVC
 Material Part No 9812-65-RED683
 Max. Operating Temp: 105 C
 Shore Durometer "A" 10 SEC. 67/62
 Specific Gravity: 1.34
 Ult. Elongation %: 475
 Brittle Temp: -44 C
 Tensile Strength PSI: 1547 PSI
 Dielectric Strength, v./ml 540
 U.L. Rating: 94 V2
 MEETS: FMVSS.302



VTE Incorporated
 5437 Robinson Road, P.O. Box 790
 Pellston, Michigan 49769
 Telephone: 1-800-527-9256, 231-539-8000
 FAX: 231-539-0914

REF: *****	DATE: 16SEP03	DRN BY: BRH	WEIGHT: 097 LBS. / 43.9 G.
TITLE: TERMINAL INSULATOR			SCALE: NOTED
MATERIAL: NOTED		PART NO. 258N9 V02	
COLOR: NOTED	DRG CLASS *****		