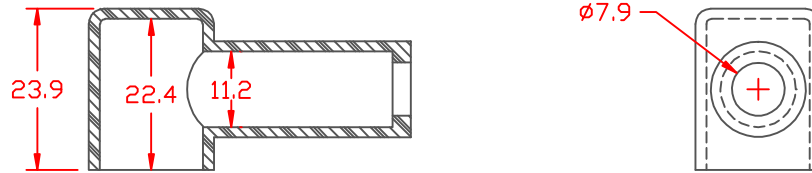


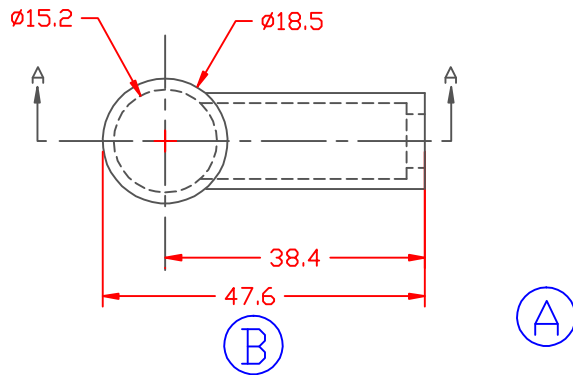
PROPRIETARY RIGHTS ARE CLAIMED FOR THE MATERIAL DISCLOSED IN THIS DRAWING.

LTR.	REVISIONS	DATE
A	MATERIAL REVISED TO AGREE WITH PARTS AS MFG'D.	20JUL09
B	REVISED X-SEC. VIEW, 47.6 WAS 42.2, 38.4 WAS 30.3	23FEB11

TYP. WALL THICKNESS = 1.5

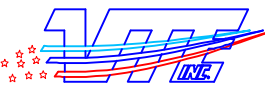


SECTION A-A



VTE Material Part No:	1101650102
Material:	RED PVC
Material Part No:	9812-65-RED683
Max. Operating Temp:	105 C
Shore Durometer:	"A" 10 SEC. 67/62
Specific Gravity:	1.34
Ult. Elongation %:	475
Brittle Temp:	-44 C
Tensile Strength PSI:	1547 PSI
Dielectric Strength, v./ml:	540
U.L. Rating:	94 V2
MEETS:	FMVSS.302

TOLERANCE UNLESS OTHERWISE SPECIFIED:  $\pm 0.30 / \pm 0.8 \text{mm}$   
 RADIAL DIAMETERS TO BE MEASURED OVER MANDRELS,  
 RING GAGES OR PIN GAGES OF SUITABLE SIZE

		<b>VTE Incorporated</b> 5437 Robinson Road, P.O. Box 790 Pellston, Michigan 49769 Telephone: 1-800-527-9256, 231-539-8000 FAX: 231-539-0914		
		REF:	DATE:	DRN BY:
		3-26-98	JC	.012 LBS. / 5.4 G.
TITLE:		STARTER BOOT		
MATERIAL:		PART NO.		
		400N7V02		
COLOR:	DRG CLASS			

