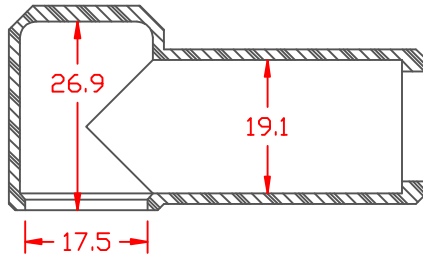


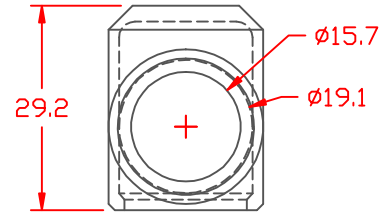
PROPRIETARY RIGHTS ARE CLAIMED FOR THE MATERIAL DISCLOSED IN THIS DRAWING.

LTR.	REVISIONS	DATE
△	ADDED 10 DEG. VIEW AND NOTES	07-JAN-02

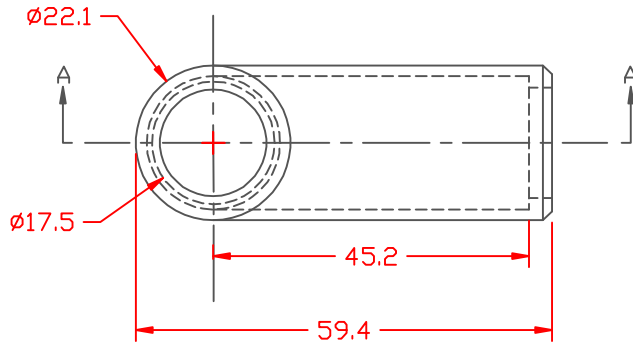
TYP. WALL THICKNESS = 1.5
TYP. BEVEL = 45°



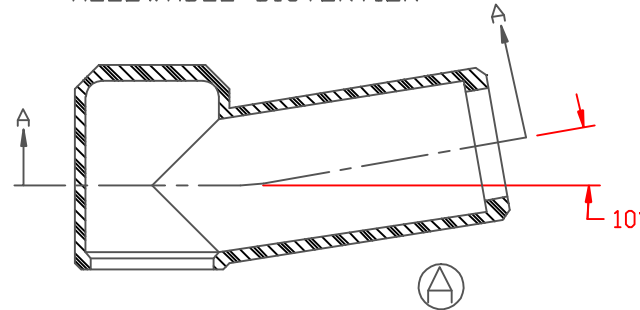
SECTION A-A



THIS PRODUCT IS NOT RECOMMENDED FOR SALE OR RESALE
ALTERNATE PART NUMBER 220E3 RECOMMENDED



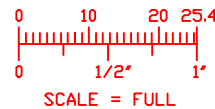
ALLOWABLE DISTORTION




SECTION A-A

TOLERANCE UNLESS OTHERWISE SPECIFIED: ±.030"/±0.8mm
RADIAL DIAMETERS TO BE MEASURED OVER MANDRELS,
RING GAGES OR PIN GAGES OF SUITABLE SIZE

VTE Material Part No: 1101650102
Material: RED PVC
Material Part No: 9812-65-RED683
Max. Operating Temp: 105 C
Shore Durometer: *A* 10 SEC. 67/62
Specific Gravity: 1.34
Ult. Elongation %: 475
Brittle Temp: -44 C
Tensile Strength PSI: 1547 PSI
Dielectric Strength, v./ml: 540
U.L. Rating: 94 V2
MEETS: FMVSS.302



		VTE Incorporated 5437 Robinson Road, P.O. Box 790 Pellston, Michigan 49769 Telephone: 1-800-527-9256, 231-539-8000 FAX: 231-539-0914	
		REF:	DATE:
	3-27-98	CHK'D BY:	021 LBS. / 9.48 G.
TITLE: EYELET TERMINAL INSULATOR BOOT			
MATERIAL:		PART NO.	
COLOR:	DRG CLASS	407N8V02	