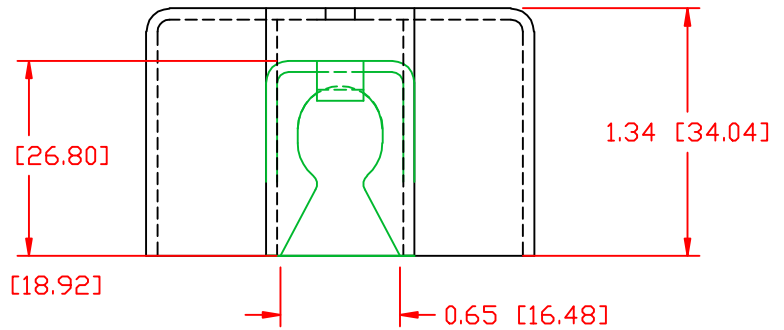
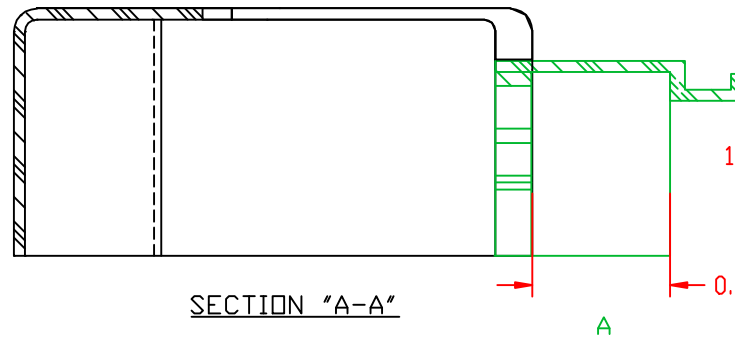
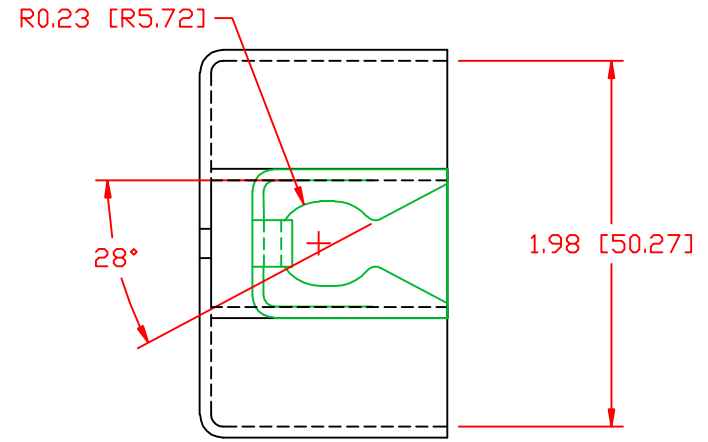
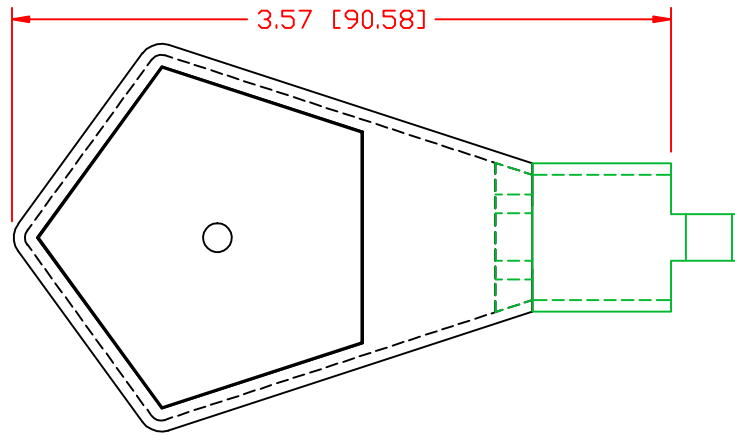


PROPRIETARY RIGHTS ARE CLAIMED FOR THE INFORMATION DISCLOSED IN THIS DRAWING. RELEASE OF THIS DESIGN CONCEPT TO ANY THIRD PARTY CONSTITUTES A VIOLATION OF OUR DEVELOPMENT AGREEMENT.

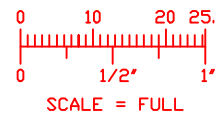
LTR.	REVISIONS	DATE
⤴	ADDED CUTOFF FOR RISER	10-18-99



437N5
DESIGNED TO FIT 35 OR 50mm² METRIC CABLE

TOLERANCE UNLESS OTHERWISE SPECIFIED: ±.030"/±0.8mm
 RADIAL DIAMETERS TO BE MEASURED OVER MANDRELS,
 RING GAGES OR PIN GAGES OF SUITABLE SIZE

VTE Material Part No: 1101650102
 Material: RED PVC
 Material Part No: M105-95 RD
 Shore Durometer: 'A' 10 SEC. 98/92
 Specific Gravity: 1.42
 Ult. Elongation %: 217
 Tensile Strength PSI: 2123
 U.L. Rating: 94 V2



VTE Incorporated
 5437 Robinson Road, P.O. Box 790
 Pellston, Michigan 49769
 Telephone: 1-800-527-9256, 231-539-8000
 FAX: 231-539-0914

REF: *****	DATE: 06-15-99	DRN BY: BRH	WEIGHT: .041 LBS. / 18.5 G.
TITLE: BATTERY TERMINAL INSULATOR			SCALE: NONE
MATERIAL: *****	PART NO. 437N5V02		
COLOR: *****	DRG CLASS *****		