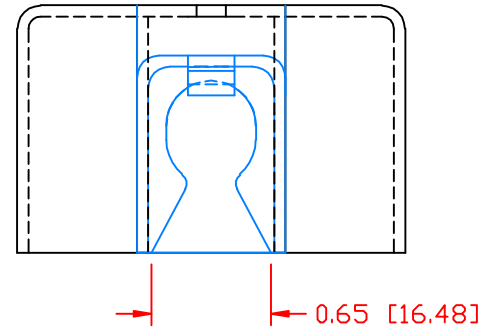
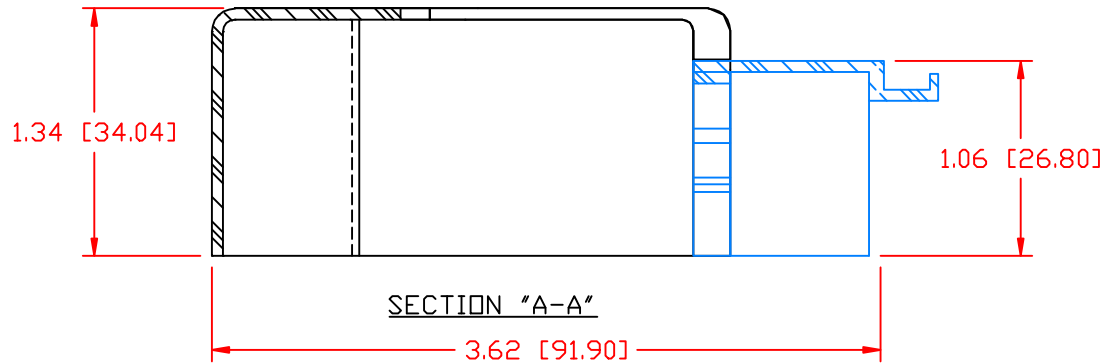
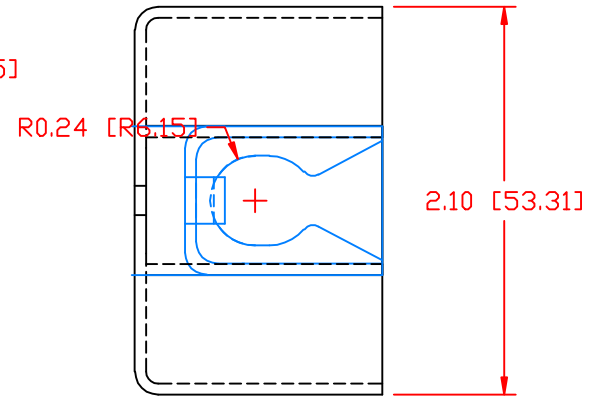
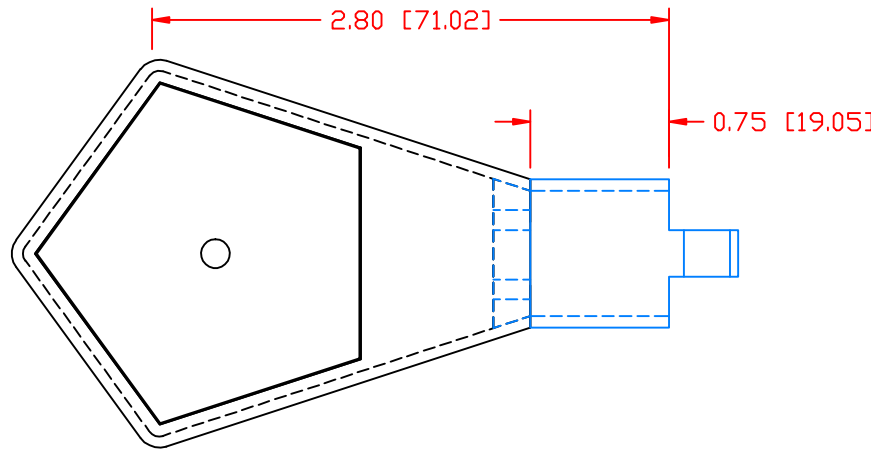


PROPRIETARY RIGHTS ARE CLAIMED FOR THE INFORMATION DISCLOSED IN THIS DRAWING. RELEASE OF THIS DESIGN CONCEPT TO ANY THIRD PARTY CONSTITUTES A VIOLATION OF OUR DEVELOPMENT AGREEMENT.

LTR.	REVISIONS	DATE
⤴	ADDED CUTOFF FOR RISER	10-18-99



437N7

DESIGNED TO FIT: 50 mm² METRIC CABLE

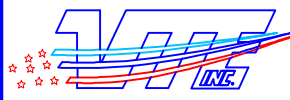
FITS THE FOLLOWING BATTERIES:

UPS 12-140, 12-200, 12-270, 12-310, 12-370, 6-620 WITH 50mm² CABLE

Material:	RED PVC
Material Part No	M105-95 RD
Shore Durometer	"A" 10 SEC. 98/92
Specific Gravity:	1.42
Ult. Elongation %:	217
Tensile Strength PSI:	2123
U.L. Rating:	94 V2



TOLERANCE UNLESS OTHERWISE SPECIFIED: ±.030"/±0.8mm
RADIAL DIAMETERS TO BE MEASURED OVER MANDRELS,
RING GAGES OR PIN GAGES OF SUITABLE SIZE

		VTE Incorporated 5437 Robinson Road, P.O. Box 790 Pellston, Michigan 49769 Telephone: 1-800-527-9256, 231-539-8000 FAX: 231-539-0914	
REF: *****	DATE: 06-15-99	DRN BY: BRH	WEIGHT: 18.3 g
TITLE: BATTERY TERMINAL INSULATOR			SCALE: NONE
MATERIAL: *****	PART NO. 437N7 V02		
COLOR: *****	DRG CLASS *****		