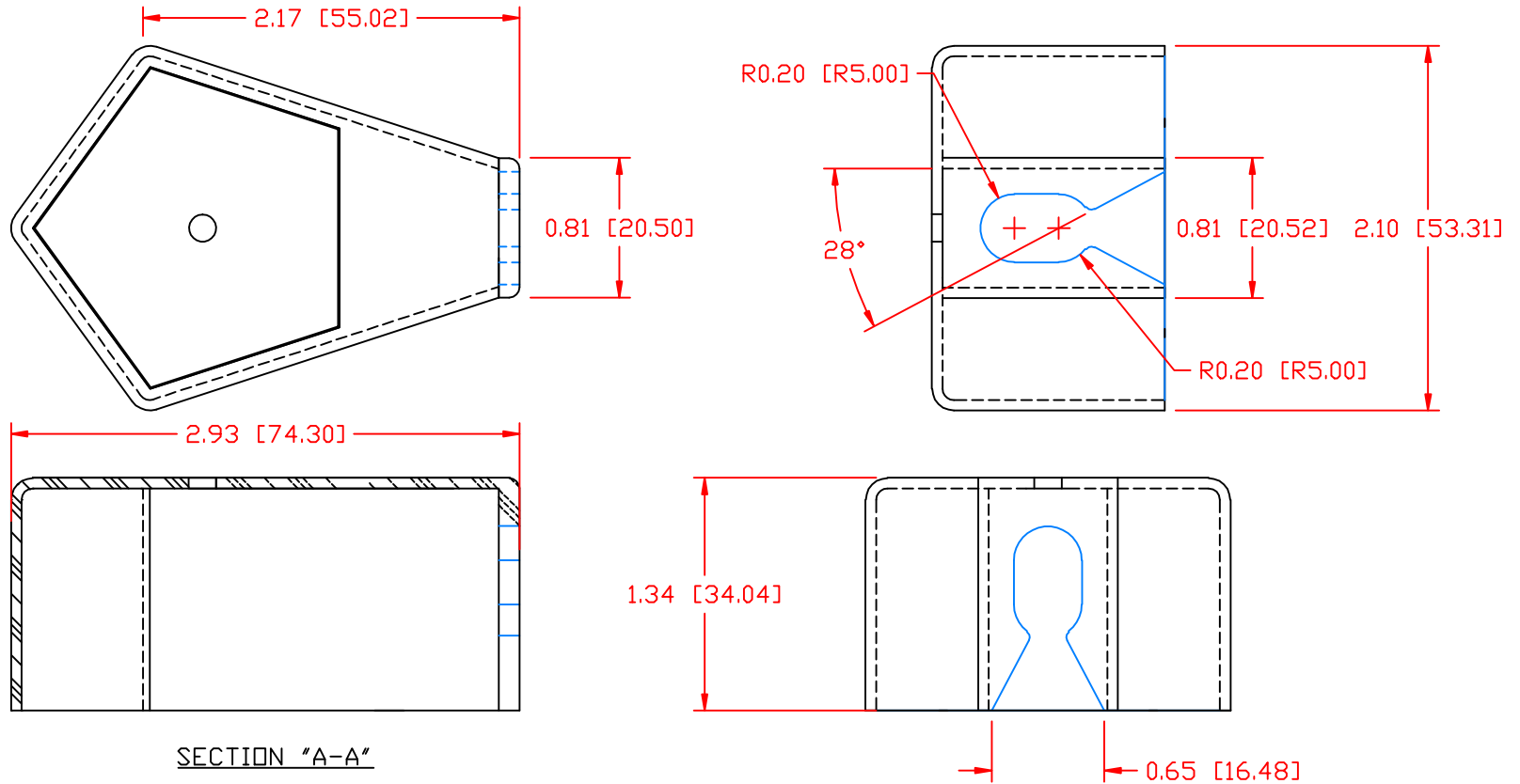


PROPRIETARY RIGHTS ARE CLAIMED FOR THE INFORMATION DISCLOSED IN THIS DRAWING. RELEASE OF THIS DESIGN CONCEPT TO ANY THIRD PARTY CONSTITUTES A VIOLATION OF OUR DEVELOPMENT AGREEMENT.

LTR.	REVISIONS	DATE
⏏	NEW GRIP DETAIL SIZE PER MARKED PRINT. (REMOVED SHROUD). ADDED DIMS 2.93", .120", AND .06" R. 2 PLCS.	14FE00

TYP. WALL THICKNESS = .06" (1.5mm)

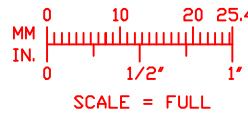


SECTION "A-A"

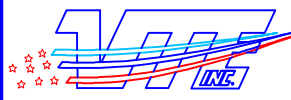
437S5

Material:
Material Part No
Shore Durometer
Specific Gravity:
Ult. Elongation %:
Tensile Strength PSI:
U.L. Rating:

RED PVC
M105-95 RD
"A" 10 SEC. 98/92
1.42
217
2123
94 V2



TOLERANCE UNLESS OTHERWISE SPECIFIED: ±.030"/±0.8mm
RADIAL DIAMETERS TO BE MEASURED OVER MANDRELS,
RING GAGES OR PIN GAGES OF SUITABLE SIZE

		VTE Incorporated 5437 Robinson Road, P.O. Box 790 Pellston, Michigan 49769 Telephone: 1-800-527-9256, 231-539-8000 FAX: 231-539-0914	
REF: *****	DATE: 06-15-99	DRN BY: BRH	WEIGHT: 18.3 g
TITLE: BATTERY TERMINAL INSULATOR			SCALE: NONE
MATERIAL: *****	PART NO. 437S5V02		
COLOR: *****	DRG CLASS *****		