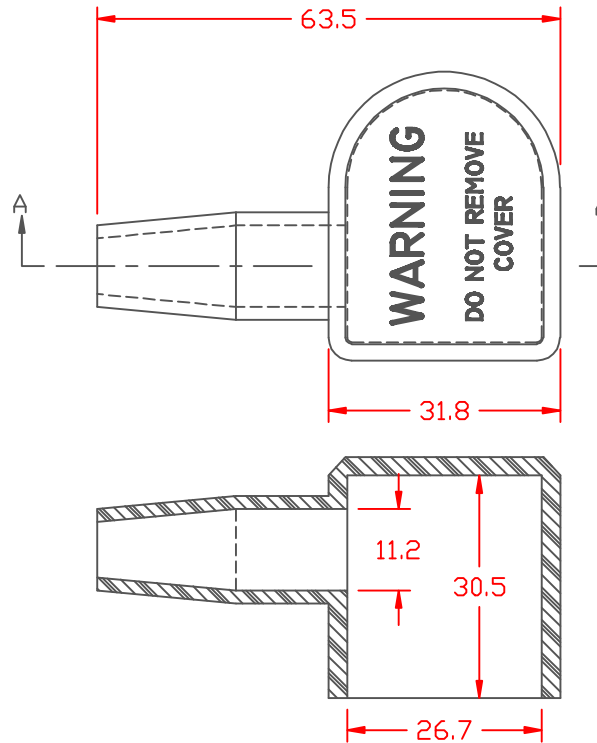
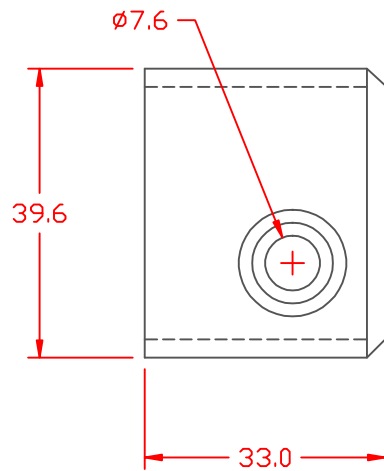


PROPRIETARY RIGHTS ARE CLAIMED FOR THE MATERIAL DISCLOSED IN THIS DRAWING.

TYP. WALL THICKNESS = 2.5

LTR.	REVISIONS	DATE
≠	*****	00-00-98

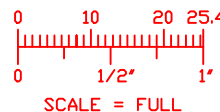


SECTION A-A

TOLERANCE UNLESS OTHERWISE SPECIFIED: ±.030"/±0.8mm  
 RADIAL DIAMETERS TO BE MEASURED OVER MANDRELS,  
 RING GAGES OR PIN GAGES OF SUITABLE SIZE

VTE Material Part No:  
 Material:  
 Material Part No  
 Max. Operating Temp:  
 Shore Durometer  
 Specific Gravity:  
 Ult. Elongation %:  
 Brittle Temp:  
 Tensile Strength PSI:  
 Dielectric Strength, v./ml  
 U.L. Rating:  
 MEETS:

1101650102  
 RED PVC  
 9812-65-RED683  
 105 C  
 "A" 10 SEC. 67/62  
 1.34  
 475  
 -44 C  
 1547 PSI  
 540  
 94 V2  
 FMVSS.302



**VTE Incorporated**  
 5437 Robinson Road, P.O. Box 790  
 Pellston, Michigan 49769  
 Telephone: 1-800-527-9256, 231-539-8000  
 FAX: 231-539-0914

REF:	DATE: 3-30-98	DRN BY: CJC CHK'D BY:	WEIGHT: 04 LBS. / 18.3 G.
TITLE: U-1 BATTERY TERMINAL BOOT			
MATERIAL:		PART NO. 444L6V02	
COLOR:	DRG CLASS		