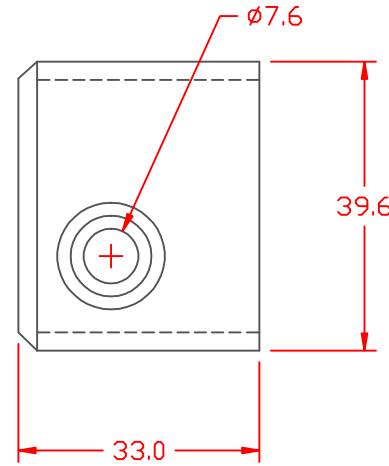
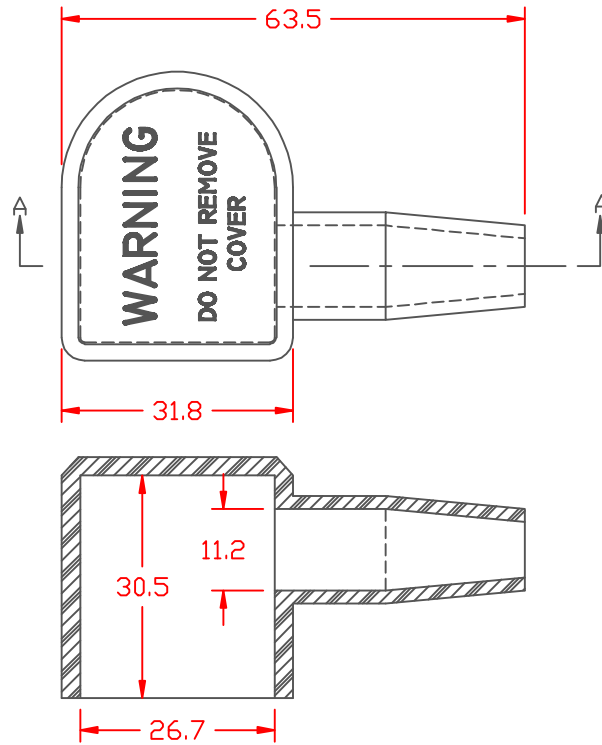


PROPRIETARY RIGHTS ARE CLAIMED FOR THE MATERIAL DISCLOSED IN THIS DRAWING.

TYP. WALL THICKNESS = 2.5

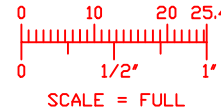
LTR.	REVISIONS	DATE
≠	*****	00-00-98



SECTION A-A

TOLERANCE UNLESS OTHERWISE SPECIFIED: ± 0.30 "/ ± 0.8 mm
 RADIAL DIAMETERS TO BE MEASURED OVER MANDRELS,
 RING GAGES OR PIN GAGES OF SUITABLE SIZE

VTE Material Part No:	1101650102
Material:	RED PVC
Material Part No:	9812-65-RED683
Max. Operating Temp:	105 C
Shore Durometer:	"A" 10 SEC. 67/62
Specific Gravity:	1.34
Ult. Elongation %:	475
Brittle Temp:	-44 C
Tensile Strength PSI:	1547 PSI
Dielectric Strength, v./ml:	540
U.L. Rating:	94 V2
MEETS:	FMVSS.302



	VTE Incorporated 5437 Robinson Road, P.O. Box 790 Pellston, Michigan 49769 Telephone: 1-800-527-9256, 231-539-8000 FAX: 231-539-0914		
	REF:	DATE:	DRN BY: CJC

	3-30-98	CHK'D BY:	WEIGHT:
TITLE: U-1 BATTERY TERMINAL BOOT			.04 LBS. / 18.3 G.
MATERIAL:		PART NO.	
COLOR:		444R6V02	
DRG CLASS			