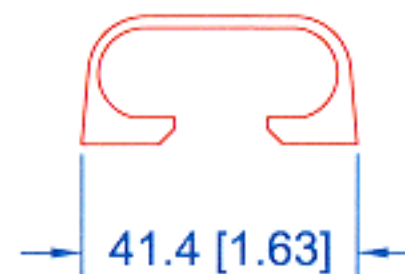
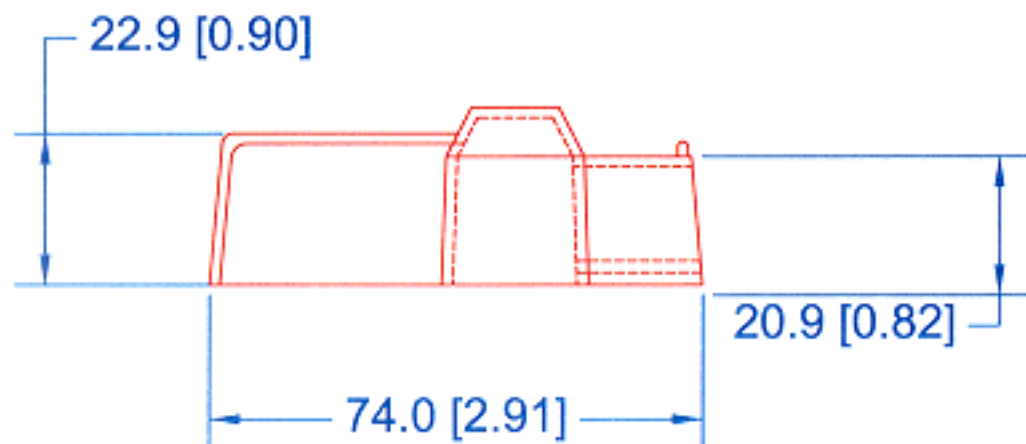
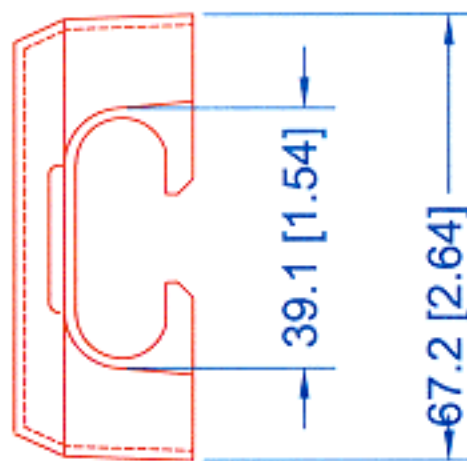
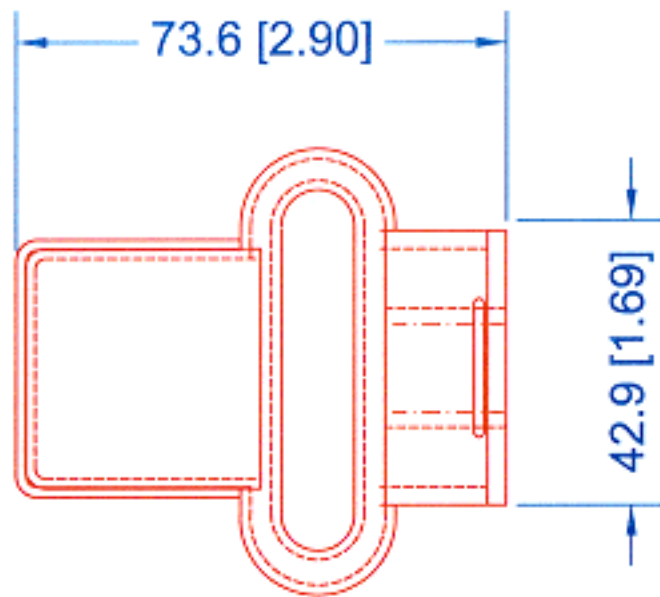


PROPRIETARY RIGHTS ARE CLAIMED FOR THE MATERIAL DISCLOSED IN THIS DRAWING.

LTR.	REVISIONS	DATE
A	UPDATED DRAWING TO AGREE WITH PART	07/13/99



TOLERANCE UNLESS OTHERWISE SPECIFIED: $\pm 0.30^{\circ} \pm 0.8\text{mm}$
 RADIAL DIAMETERS TO BE MEASURED OVER MANDRELS, RING
 GAGES OR PIN GAGES OF SUITABLE SIZE

Material:
 Material Part No
 Shore Durometer
 Specific Gravity:
 Ult. Elongation %:
 Tensile Strength PSI:
 U.L. Rating:

RED PVC
 M105-95 RD
 "A" 10 SEC. 98/92
 1.42
 217
 2123
 94 V2



		VTE Incorporated 5437 Robinson Road, P.O. Box 790 Pellston, Michigan 49769 Telephone: 1-800-527-8256, 231-539-8000 FAX: 231-539-0914	
		REF: ****	DATE: 11/06/98
TITLE: TWO CABLE BATTERY TERMINAL PROTECTOR		CHKD BY: WRV	SCALE: ****
MATERIAL: *****	PART NO.		<h1>451N9V02</h1>
COLOR: RED	DRG CLASS: E		