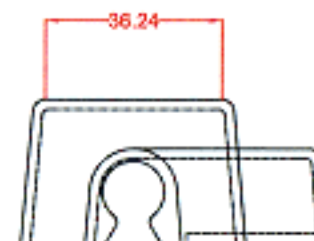
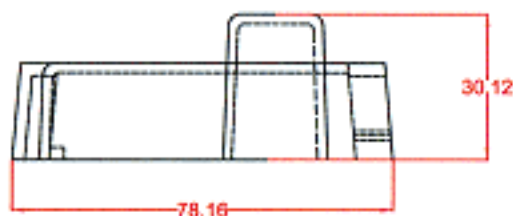
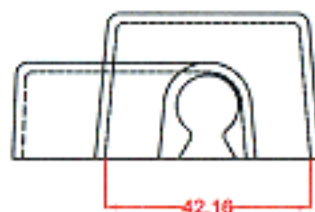
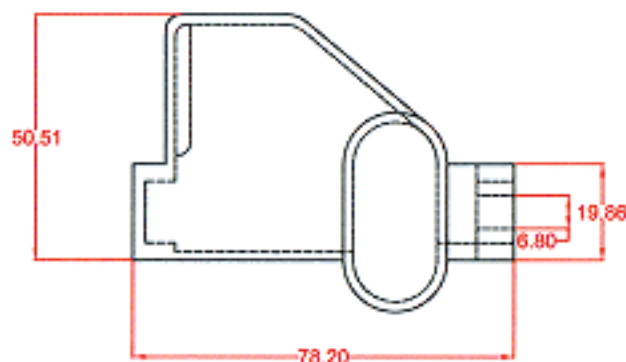


PROPRIETARY RIGHTS ARE CLAIMED FOR THE MATERIAL DISCLOSED IN THIS DRAWING.

LTR	REVISIONS	DATE
A	DRAWING LAYOUT/DIMENSION	9/20/99

GRIP DETAILS



TOLERANCE UNLESS OTHERWISE SPECIFIED:  $\pm 0.30/\pm 0.8\text{mm}$   
 RADIAL DIAMETERS TO BE MEASURED OVER MANDRELS, RING  
 GAGES OR PIN GAGES OF SUITABLE SIZE

Material:  
 Material Part No  
 Shore Durometer  
 Specific Gravity:  
 Ult. Elongation %:  
 Tensile Strength PSI:  
 U.L. Rating:

RED PVC  
 M105-95 RD  
 "A" 10 SEC. 98/92  
 1.42  
 217  
 2123  
 94 V2



VTE Incorporated

5437 Robinson Road, P.O. Box 790  
 Pellston, Michigan 49769  
 Telephone: 1-800-527-9256, 231-539-8000  
 FAX: 231-539-0914

REF:	DATE: 07/15/99	DRN BY: LWH CHKD BY:	WEIGHT: 21.6 g
TITLE: OFFSET TERMINAL INSULATOR			SCALE: ***
MATERIAL: SEE LIST		PART NO. 454R9V02	
COLOR: RED	DRG CLASS		