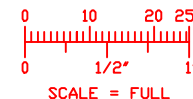
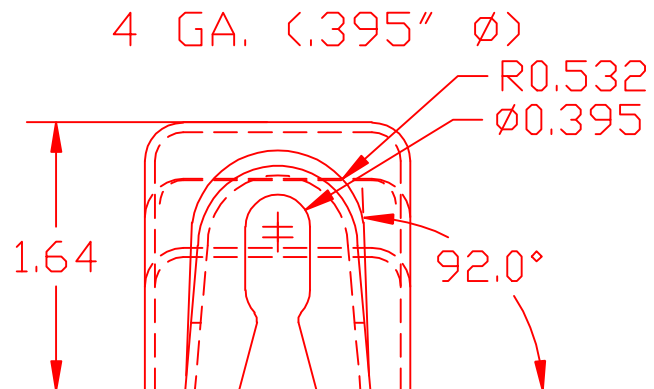
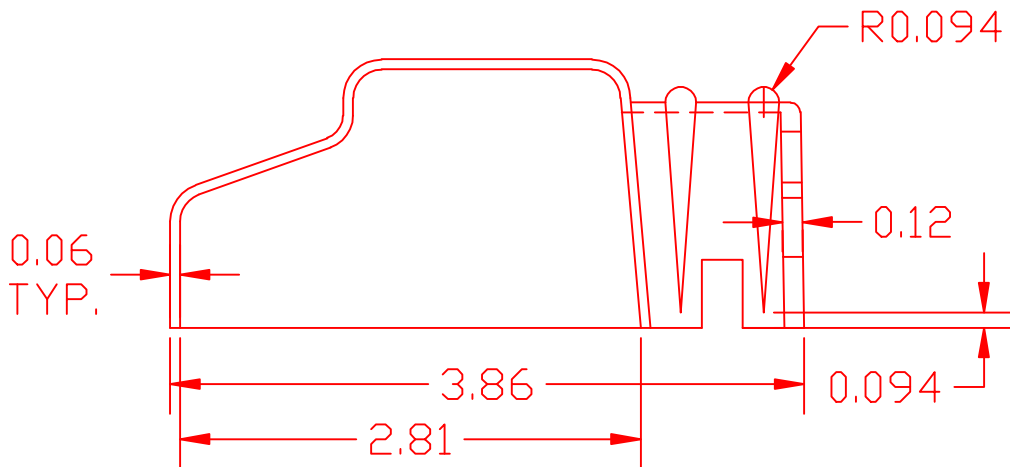


THE INFORMATION CONTAINED IN THIS DRAWING IS THE SOLE PROPERTY OF VTE INCORPORATED. ANY REPRODUCTION IN PART OR WHOLE WITHOUT THE WRITTEN PERMISSION OF VTE INCORPORATED IS PROHIBITED.

LTR.	REVISIONS	DATE
✖	*****	00-000-00



TOLERANCE UNLESS OTHERWISE SPECIFIED:  
 MOLDED PRODUCTS ONLY:  $\pm 0.30^\circ / \pm 0.8\text{mm}$   
 HARDWARE ITEMS:  $\pm 0.010^\circ / \pm 0.25\text{mm}$   
 RADIAL DIAMETERS TO BE MEASURED OVER MANDRELS,  
 RING GAGES OR PIN GAGES OF SUITABLE SIZE

Material:  
 Material Part No  
 Shore Durometer  
 Specific Gravity:  
 Ult. Elongation %:  
 Tensile Strength PSI:  
 U.L. Rating:

9812-95 RED 683  
 1101950102 OR EQUIVALENT  
 "A" 10 SEC. 98/92  
 1.42  
 217  
 2123  
 94 V2

VTE Incorporated  
 5437 Robinson Road, P.O. Box 790  
 Pellston, Michigan 49769  
 Telephone: 1-800-527-9256, 231-539-8000  
 FAX: 231-539-0914

REF: ***	DATE: 24MAR10	DRN BY: BRH CHK'D BY: BRH	WEIGHT: ***
TITLE: BATTERY TERMINAL INSULATOR			SCALE:
MATERIAL: NOTED		PART NO.	
COLOR: NOTED	DRG CLASS *****	455N4V02	