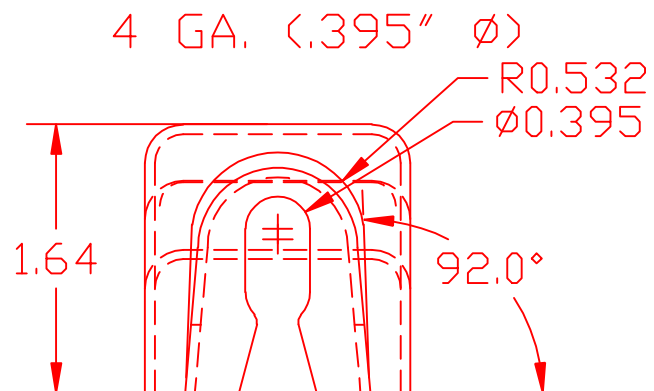
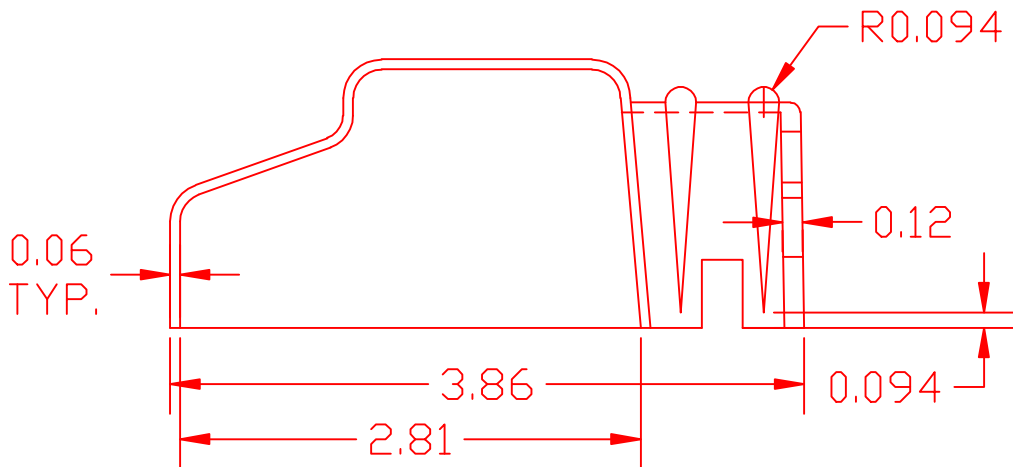


THE INFORMATION CONTAINED IN THIS DRAWING IS THE SOLE PROPERTY OF VTE INCORPORATED. ANY REPRODUCTION IN PART OR WHOLE WITHOUT THE WRITTEN PERMISSION OF VTE INCORPORATED IS PROHIBITED.

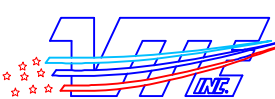
LTR.	REVISIONS	DATE
✖	*****	00-000-00



TOLERANCE UNLESS OTHERWISE SPECIFIED:
 MOLDED PRODUCTS ONLY: $\pm 0.30^\circ / \pm 0.8\text{mm}$
 HARDWARE ITEMS: $\pm 0.010^\circ / \pm 0.25\text{mm}$
 RADIAL DIAMETERS TO BE MEASURED OVER MANDRELS,
 RING GAGES OR PIN GAGES OF SUITABLE SIZE

Material:
 Material Part No
 Shore Durometer
 Specific Gravity:
 Ult. Elongation %:
 Tensile Strength PSI:
 U.L. Rating:

9812-95 BLACK PVC
 1101950114 OR EQUIVALENT
 "A" 10 SEC. 98/92
 1.42
 175
 2165
 94 V2



VTE Incorporated
 5437 Robinson Road, P.O. Box 790
 Pellston, Michigan 49769
 Telephone: 1-800-527-9256, 231-539-8000
 FAX: 231-539-0914

REF: *****	DATE: 24MAR10	DRN BY: BRH	WEIGHT: *****
TITLE: BATTERY TERMINAL INSULATOR			SCALE:
MATERIAL: NOTED		PART NO.	
COLOR:	DRG CLASS *****	455N4V14	