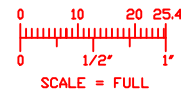
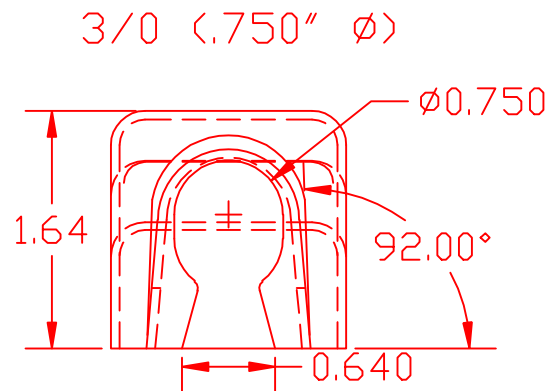
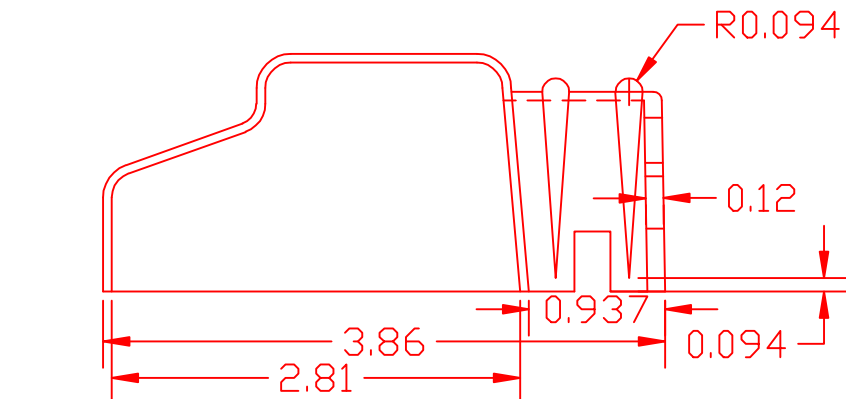


THE INFORMATION CONTAINED IN THIS DRAWING IS THE SOLE PROPERTY OF VTE INCORPORATED. ANY REPRODUCTION IN PART OR WHOLE WITHOUT THE WRITTEN PERMISSION OF VTE INCORPORATED IS PROHIBITED.

| | | |
|------|-----------|-----------|
| LTR. | REVISIONS | DATE |
| ✖ | ***** | 00-000-00 |



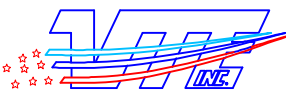
REPLACES VENDOR P/N
4561



TOLERANCE UNLESS OTHERWISE SPECIFIED:
 MOLDED PRODUCTS ONLY: ±.030"/±0.8mm
 HARDWARE ITEMS: ±.010"/±0.25mm
 RADIAL DIAMETERS TO BE MEASURED OVER MANDRELS,
 RING GAGES OR PIN GAGES OF SUITABLE SIZE

Material:
 Material Part No
 Shore Durometer
 Specific Gravity:
 Ult. Elongation %:
 Tensile Strength PSI:
 U.L. Rating:

9812-95 BLACK PVC
 1101950114 OR EQUIVALENT
 "A" 10 SEC. 98/92
 1.42
 175
 2165
 94 V2



VTE Incorporated
 5437 Robinson Road, P.O. Box 790
 Pellston, Michigan 49769
 Telephone: 1-800-527-9256, 231-539-8000
 FAX: 231-539-0914

| | | | |
|-----------------------------------|-----------------|-------------|---------------|
| REF: ***** | DATE: 24MAR10 | DRN BY: BRH | WEIGHT: ***** |
| TITLE: BATTERY TERMINAL INSULATOR | | | SCALE: |
| MATERIAL: NOTED | | PART NO. | |
| COLOR: NOTED | DRG CLASS ***** | 455N8V14 | |