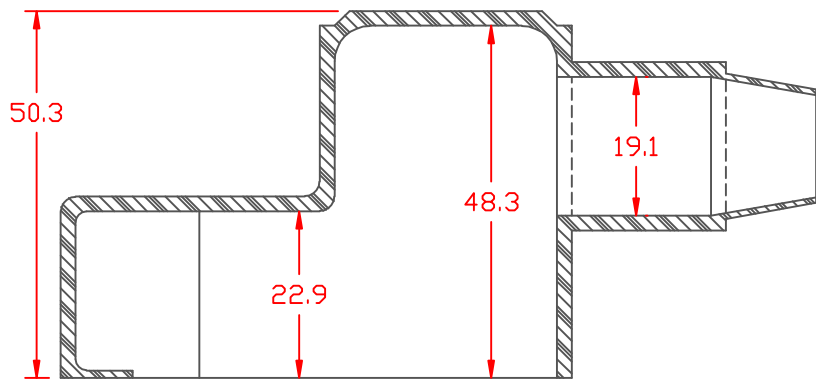


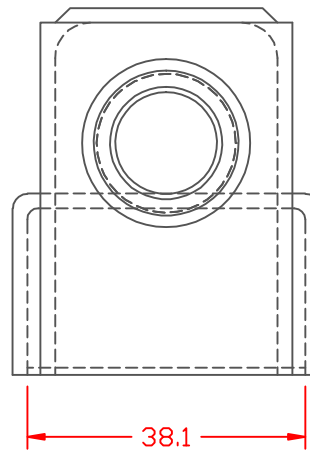
PROPRIETARY RIGHTS ARE CLAIMED FOR THE MATERIAL DISCLOSED IN THIS DRAWING.

TYP. WALL THICKNESS = 2.0 TYP. RADIUS = 2.0

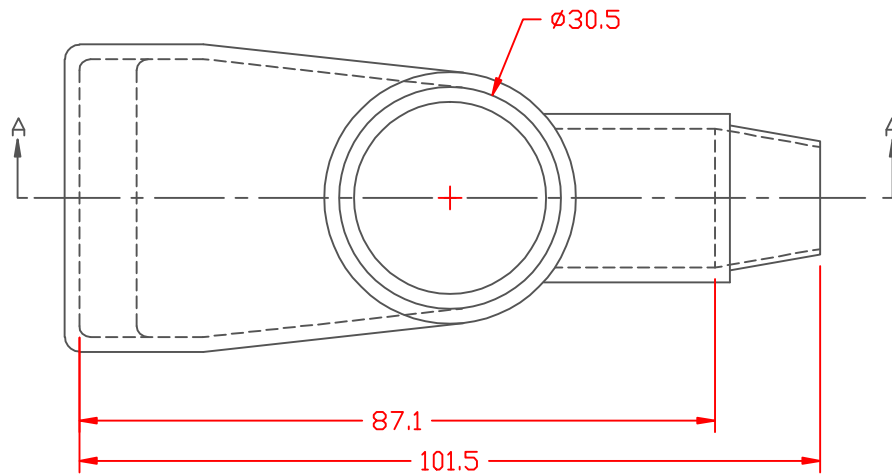
LTR.	REVISIONS	DATE
✖	*****	00-00-98



SECTION A-A



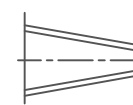
SEAL NO. 3 SHOWN



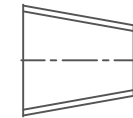
VTE Material Part No: 1101650102  
 Material: RED PVC  
 Material Part No: 9812-65-RED683  
 Max. Operating Temp: 105 C  
 Shore Durometer: "A" 10 SEC. 67/62  
 Specific Gravity: 1.34  
 Ult. Elongation %: 475  
 Brittle Temp: -44 C  
 Tensile Strength PSI: 1547 PSI  
 Dielectric Strength, v./ml: 540  
 U.L. Rating: 94 V2  
 MEETS: FMVSS.302

SEAL OPTIONS

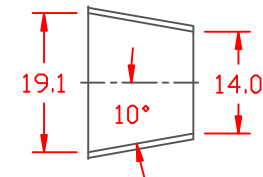
SEAL THICKNESS = .8



NO. 1  
Cable Gages  
10 - 6

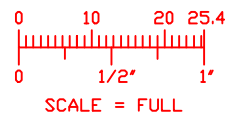


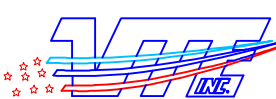
NO. 2  
Cable Gages  
6 - 1/0



NO. 3  
Cable Gages  
1/0 - 4/0

TOLERANCE UNLESS OTHERWISE SPECIFIED:  $\pm 0.30^{\circ} / \pm 0.8\text{mm}$   
 RADIAL DIAMETERS TO BE MEASURED OVER MANDRELS,  
 RING GAGES OR PIN GAGES OF SUITABLE SIZE





**VTE Incorporated**  
 5437 Robinson Road, P.O. Box 790  
 Pellston, Michigan 49769  
 Telephone: 1-800-527-9256, 231539-8000  
 FAX: 231-539-0914

REF:	DATE: 3-31-98	DRN BY: JC	WEIGHT: 071 LBS. / 31.9 G.
TITLE: MARINE ADAPTER WING NUT BOOT			
MATERIAL:		PART NO. 457N3V02	
COLOR:	DRG CLASS		