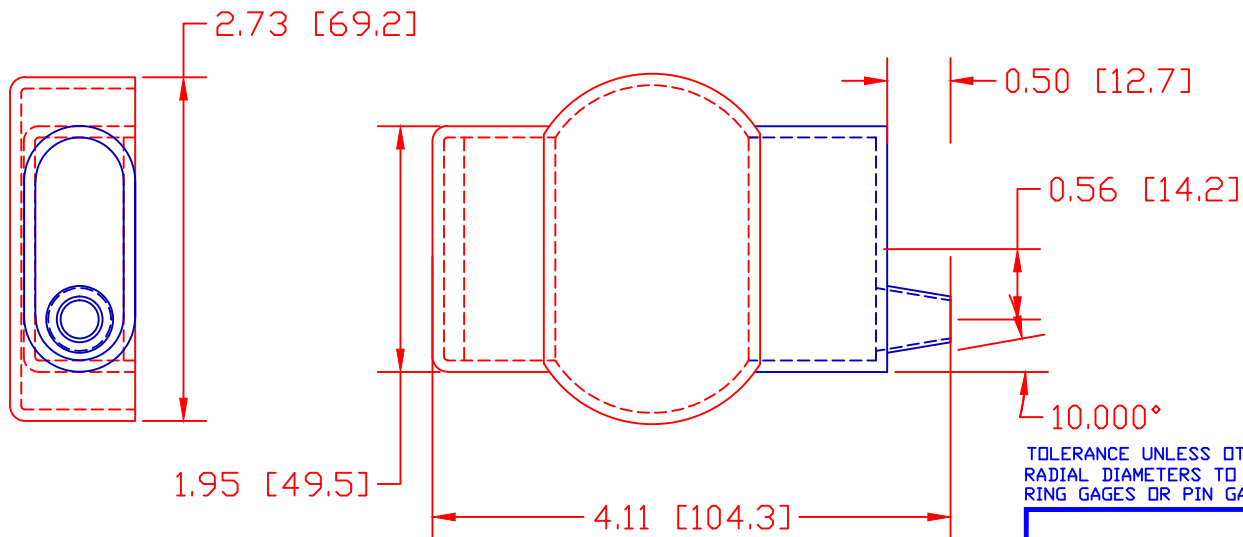
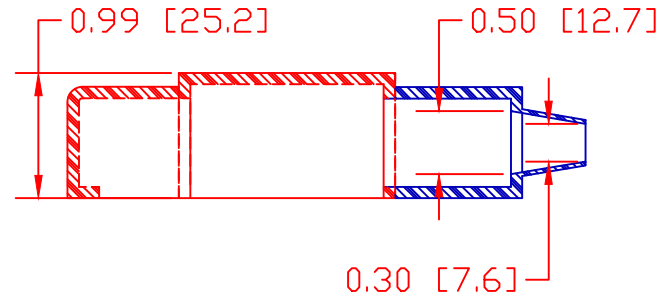


THE INFORMATION CONTAINED IN THIS DRAWING IS THE SOLE PROPERTY OF VTE INCORPORATED. ANY REPRODUCTION IN PART OR WHOLE WITHOUT THE WRITTEN PERMISSION OF VTE INCORPORATED IS PROHIBITED.


| LTR. | REVISIONS | DATE |
|------|-----------|------|
| * | *** | *** |



TOLERANCE UNLESS OTHERWISE SPECIFIED: $\pm 0.030"/\pm 0.8\text{mm}$
 RADIAL DIAMETERS TO BE MEASURED OVER MANDRELS,
 RING GAGES OR PIN GAGES OF SUITABLE SIZE

VTE Material Part No: 1101650114
 Material: BLACK PVC
 Material Part No: 9812-65
 Max. Operating Temp: 105 C
 Shore Durometer "A" 10 SEC. 67/63
 Specific Gravity: 1.33
 Ult. Elongation %: 520
 Brittle Temp: -36 C
 Tensile Strength PSI: 1563 PSI

U.L. Rating: 94 V2
 MEETS: FMVSS.302

| | | | |
|---|-----------------|---|-----------------|
|  | | VTE Incorporated 5437 Robinson Road, P.O. Box 790 Pellston, Michigan 49769 Telephone: 1-800-527-9256, 231-539-8000 FAX: 231-539-0914 | |
| | | REF: OK26900-3 | DATE: 06-JUN-01 |
| TITLE: BATTERY TERMINAL INSULATOR | | | SCALE: NOTED |
| MATERIAL: NOTED | | PART NO. | |
| COLOR: NOTED | DRG CLASS: **** | 466L2V14 | |