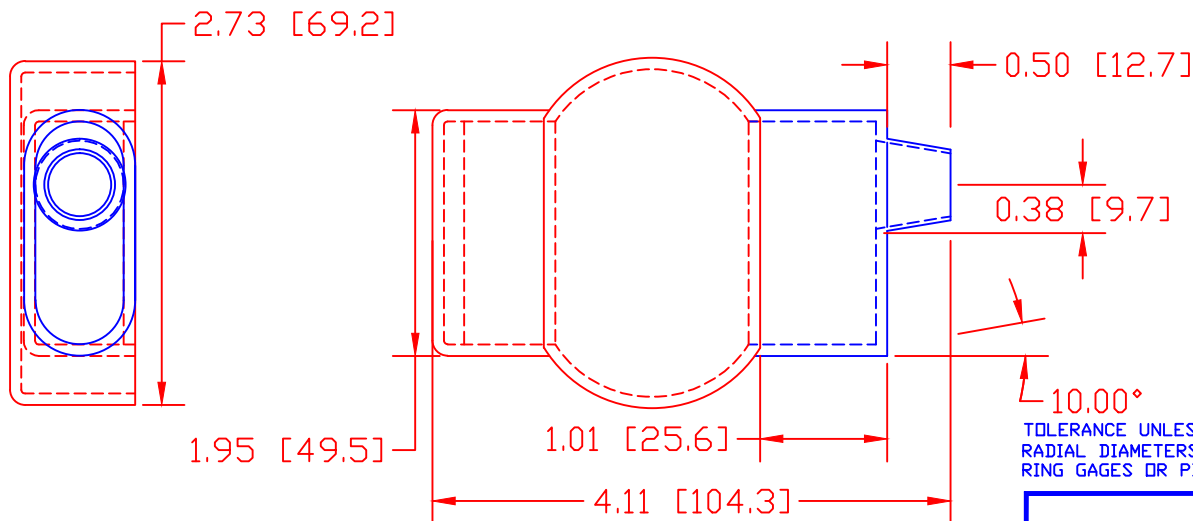
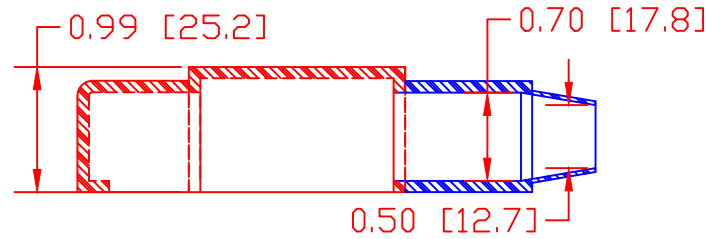


THE INFORMATION CONTAINED IN THIS DRAWING IS THE SOLE PROPERTY OF VTE INCORPORATED. ANY REPRODUCTION IN PART OR WHOLE WITHOUT THE WRITTEN PERMISSION OF VTE INCORPORATED IS PROHIBITED.

|      |           |      |
|------|-----------|------|
| LTR. | REVISIONS | DATE |
| *    | ***       | ***  |



TOLERANCE UNLESS OTHERWISE SPECIFIED:  $\pm 0.30' / \pm 0.8\text{mm}$   
 RADIAL DIAMETERS TO BE MEASURED OVER MANDRELS,  
 RING GAGES OR PIN GAGES OF SUITABLE SIZE

VTE Material Part No: 1101650114  
 Material: BLACK PVC  
 Material Part No: 9812-65  
 Max. Operating Temp: 105 C  
 Shore Durometer "A" 10 SEC. 67/63  
 Specific Gravity: 1.33  
 Ult. Elongation %: 520  
 Brittle Temp: -36 C  
 Tensile Strength PSI: 1563 PSI

U.L. Rating: 94 V2  
 MEETS: FMVSS.302



VTE Incorporated  
 5437 Robinson Road, P.O. Box 790  
 Pellston, Michigan 49769  
 Telephone: 1-800-527-9256, 231-539-8000  
 FAX: 231-539-0914

|                                   |                 |             |              |
|-----------------------------------|-----------------|-------------|--------------|
| REF: DK26900-3                    | DATE: 06-JUN-01 | DRN BY: BRH | WEIGHT: ***  |
| TITLE: BATTERY TERMINAL INSULATOR |                 |             | SCALE: NOTED |
| MATERIAL: NOTED                   |                 | PART NO.    |              |
| COLOR: NOTED                      | DRG CLASS: **** | 466R3V14    |              |