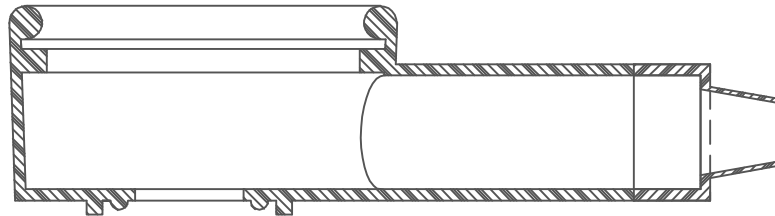
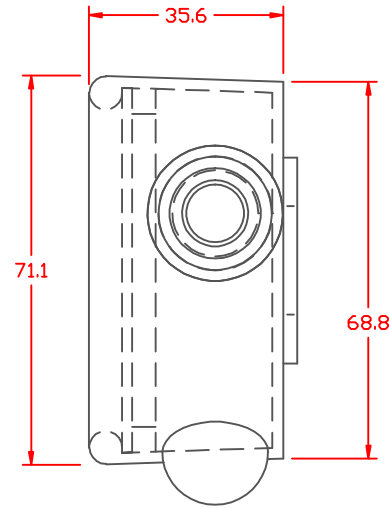
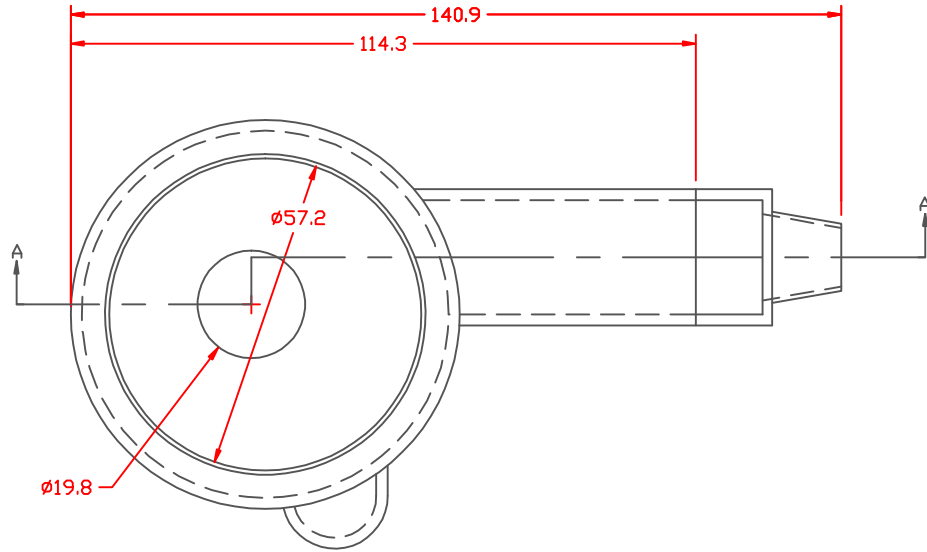


PROPRIETARY RIGHTS ARE CLAIMED FOR THE MATERIAL DISCLOSED IN THIS DRAWING.

LTR.	REVISIONS	DATE
✂	*****	00-00-98

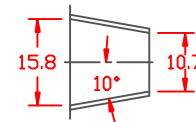


SECTION A-A

TYP. WALL THICKNESS = 2.0
TYP. RADIUS = 2.0

VTE Material Part No:	1101650102
Material:	RED PVC
Material Part No:	9812-65-RED683
Max. Operating Temp:	105 C
Shore Durometer:	"A" 10 SEC. 67/62
Specific Gravity:	1.34
Ult. Elongation %:	475
Brittle Temp:	-44 C
Tensile Strength PSI:	1547 PSI
Dielectric Strength, v./ml:	540
U.L. Rating:	94 V2
MEETS:	FMVSS.302

SEAL
SEAL THICKNESS = .8



Cable Gages
4 - 1/0

TOLERANCE UNLESS OTHERWISE SPECIFIED: $\pm .030$ / ± 0.8 mm
RADIAL DIAMETERS TO BE MEASURED OVER MANDRELS,
RING GAGES OR PIN GAGES OF SUITABLE SIZE



	VTE Incorporated 5437 Robinson Road, P.O. Box 790 Pellston, Michigan 49769 Telephone: 1-800-527-9256, 231-539-8000 FAX: 231-539-0914	
	REF:	DATE: 3-20-98

DRN BY: JC	WEIGHT: 11 LBS. / 49.9 G.
CHK'D BY:	SCALE: 3/4" = 1"
TITLE: 8D BATTERY TERMINAL PROTECTOR	
MATERIAL:	PART NO. 476N7V02
COLOR:	DRG CLASS