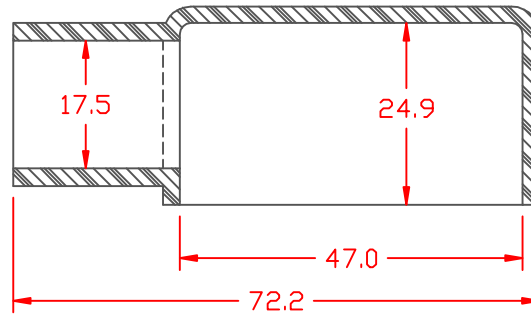
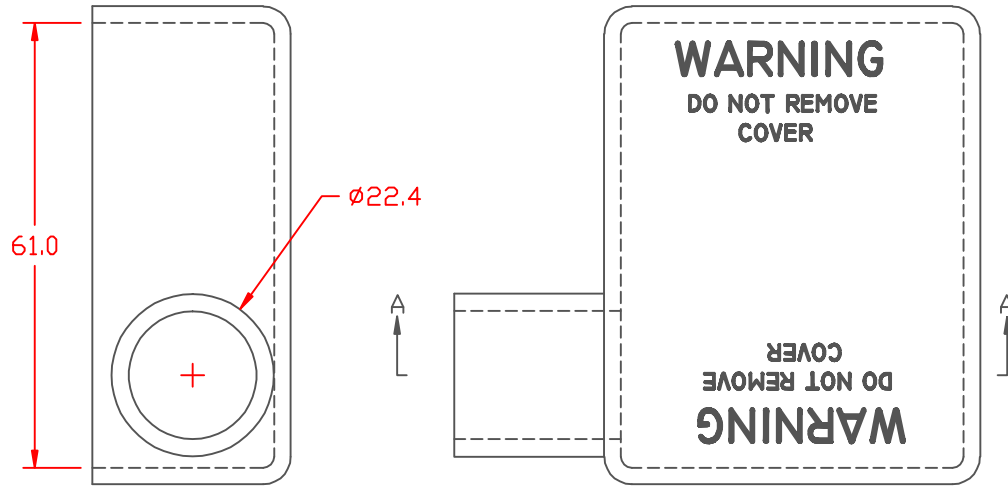


PROPRIETARY RIGHTS ARE CLAIMED FOR THE MATERIAL DISCLOSED IN THIS DRAWING.

| | | |
|------|-----------|----------|
| LTR. | REVISIONS | DATE |
| ✖ | ***** | 00-00-98 |

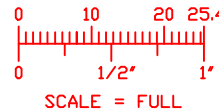


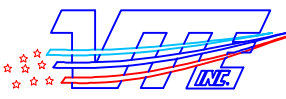
SECTION A-A

TYP. WALL THICKNESS = 2.3

TOLERANCE UNLESS OTHERWISE SPECIFIED: ±.030"/±0.8mm
 RADIAL DIAMETERS TO BE MEASURED OVER MANDRELS,
 RING GAGES OR PIN GAGES OF SUITABLE SIZE

VTE Material Part No: 1101650102
 Material: RED PVC
 Material Part No: 9812-65-RED683
 Max. Operating Temp: 105 C
 Shore Durometer "A" 10 SEC. 67/62
 Specific Gravity: 1.34
 Ult. Elongation %: 475
 Brittle Temp: -44 C
 Tensile Strength PSI: 1547 PSI
 Dielectric Strength, v./ml: 540
 U.L. Rating: 94 V2
 MEETS: FMVSS.302





VTE Incorporated
 5437 Robinson Road, P.O. Box 790
 Pellston, Michigan 49769
 Telephone: 1-800-527-9256, 231-539-8000
 FAX: 231-539-0914

| | | | |
|---------------------------|--------------|--------------------|----------------------------|
| REF: | DATE: 4-6-98 | DRN BY: JC | WEIGHT: .078 LBS. / 35.5 G |
| TITLE: BATTERY CABLE BOOT | | CHK'D BY: | |
| MATERIAL: | | PART NO. LEFT HAND | |
| COLOR: | | 500L9V02 | |
| DRG CLASS | | | |