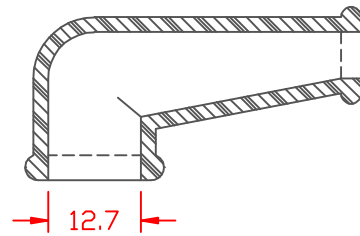
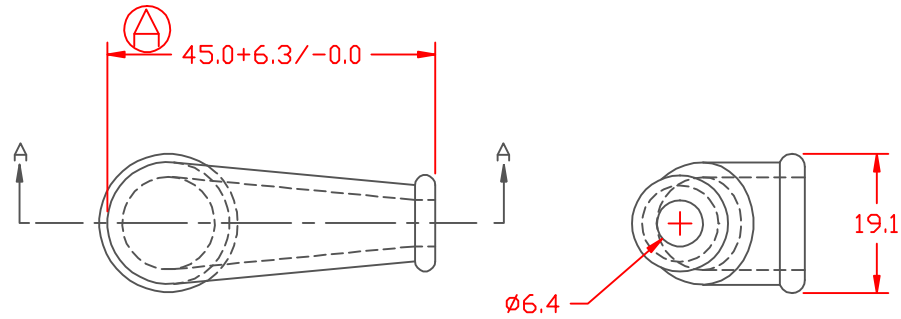


PROPRIETARY RIGHTS ARE CLAIMED FOR THE MATERIAL DISCLOSED IN THIS DRAWING.

TYP. WALL THICKNESS = 2.0

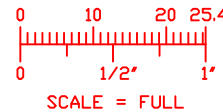
LTR.	REVISIONS	DATE
⌒	REWORK AND TO ACCEPT IMPROVED PRODUCT	04SEP03



SECTION A-A

TOLERANCE UNLESS OTHERWISE SPECIFIED: ±0.03"/±0.8mm  
 RADIAL DIAMETERS TO BE MEASURED OVER MANDRELS,  
 RING GAGES OR PIN GAGES OF SUITABLE SIZE

VTE Material Part No: 1101650102  
 Material: RED PVC  
 Material Part No: 9812-65-RED683  
 Max. Operating Temp: 105 C  
 Shore Durometer "A" 10 SEC. 67/62  
 Specific Gravity: 1.34  
 Ult. Elongation %: 475  
 Brittle Temp: -44 C  
 Tensile Strength PSI: 1547 PSI  
 Dielectric Strength, v./ml: 540  
 U.L. Rating: 94 V2  
 MEETS: FMVSS.302



		<b>VTE Incorporated</b> 5437 Robinson Road, P.O. Box 790 Pellston, Michigan 49769 Telephone: 1-800-527-9256, 231-539-8000 FAX: 231-539-0914	
		REF:	DATE:
	4-6-98	CHK'D BY:	011 LBS. / 4.98 G.
TITLE: <b>TERMINAL INSULATOR BOOT</b>			
MATERIAL:		PART NO.	
		<b>510N9V02</b>	
COLOR:	DRG CLASS		