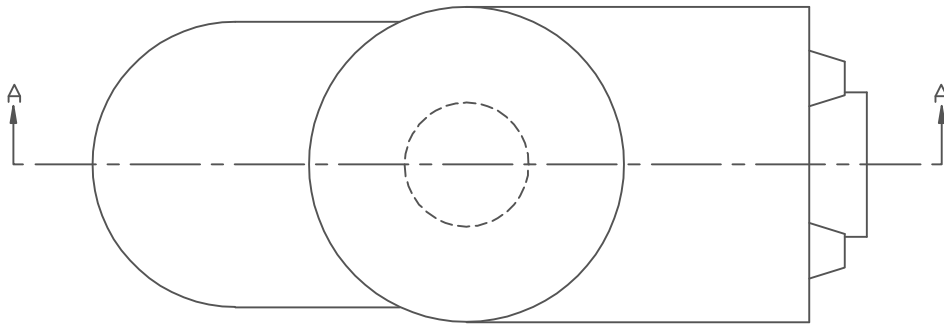


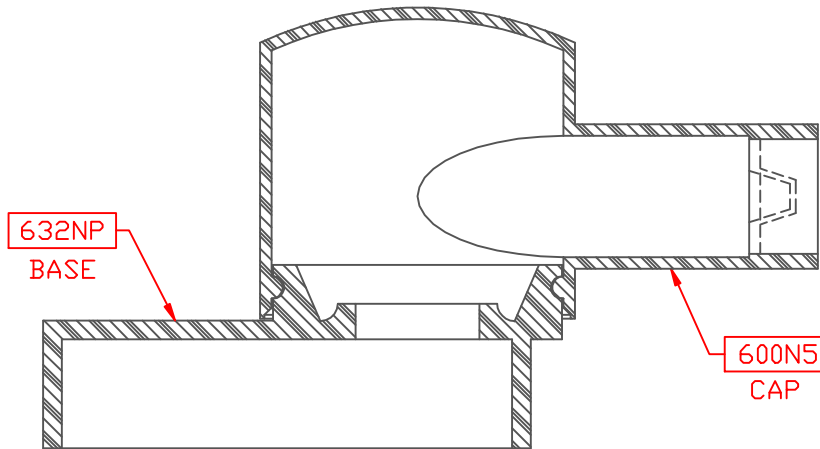
PROPRIETARY RIGHTS ARE CLAIMED FOR THE MATERIAL DISCLOSED IN THIS DRAWING.

POSITIVE TERMINAL

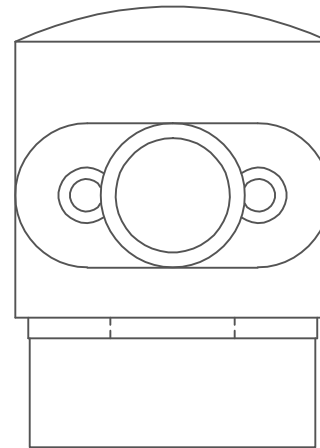


(1) 73054 KIT CONTAINS THE FOLLOWING

QUANTITY	PART #	DESCRIPTION
1	600N5V02	BATTERY TERMINAL CAP
1	632NPV02	BATTERY TERMINAL BASE



SECTION A-A



VTE Incorporated

5437 Robinson Road, P.O. Box 790
 Pellston, Michigan 49769
 Telephone: 1-800-527-9256, 231-539-8000
 FAX: 231-539-0914

REF:	DATE: 5-4-98	DRN BY: JC CHK'D BY:	WEIGHT: ****
TITLE: MARINE BATTERY TERMINAL BOOT ASSEMBLY			
MATERIAL:		PART NO. 73054	
COLOR:	DRG CLASS		