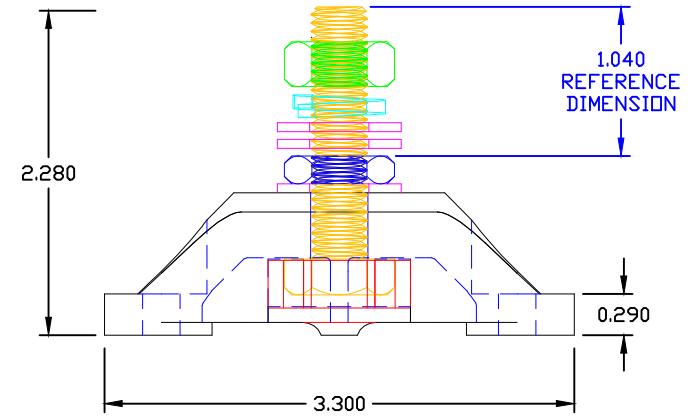
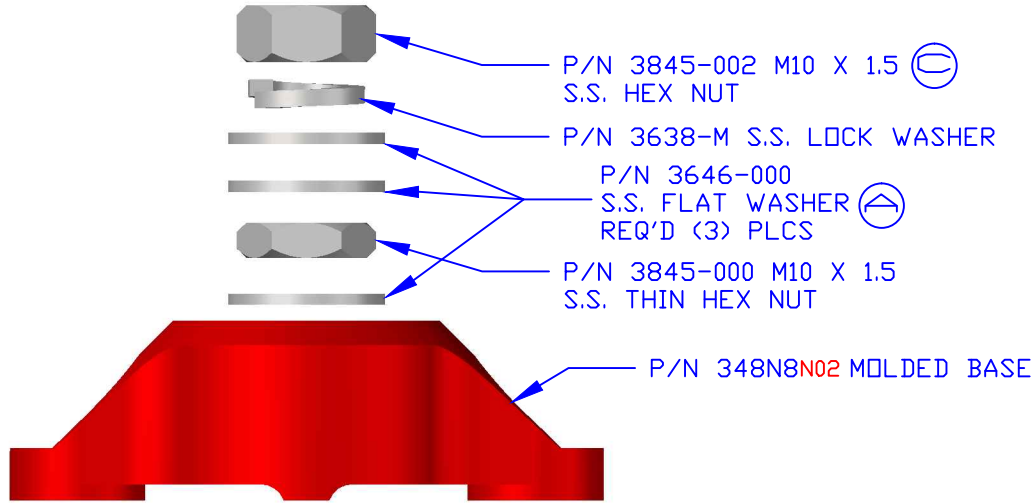
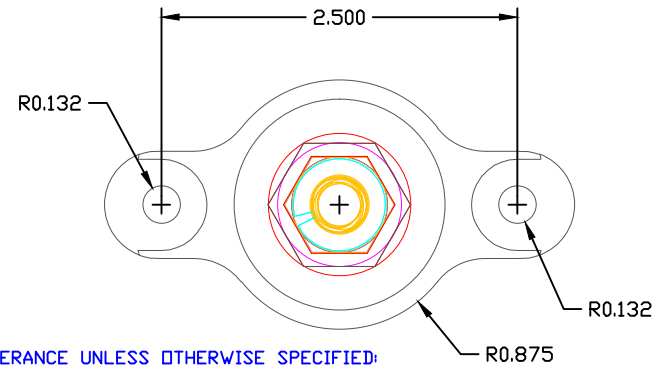
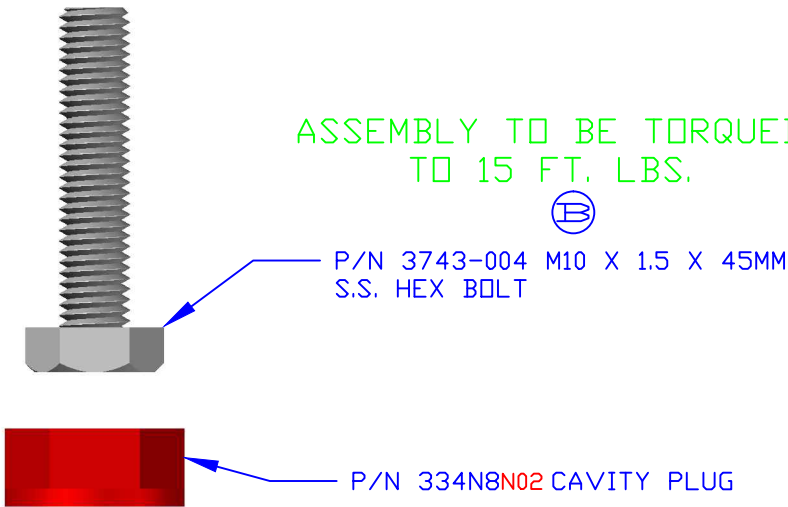


THE INFORMATION CONTAINED IN THIS DRAWING IS THE SOLE PROPERTY OF VTE INCORPORATED. ANY REPRODUCTION IN PART OR WHOLE WITHOUT THE WRITTEN PERMISSION OF VTE INCORPORATED IS PROHIBITED.

LTR.	REVISIONS	DATE	INT.
A	INCREASED WASHER QTY IN ASSY	12-12-15	RAS
B	CHANGED IN. LBS. TO FT. LBS.	12-23-15	RAS
C	REPLACED P/N 3845-001 WITH P/N 3845-002	3-28-16	RAS



ASSEMBLY TO BE TORQUED TO 15 FT. LBS.



TOLERANCE UNLESS OTHERWISE SPECIFIED:
 MOLDED PRODUCTS ONLY: $\pm 0.30^\circ / \pm 0.8\text{mm}$
 HARDWARE ITEMS: $\pm 0.010^\circ / \pm 0.25\text{mm}$
 RADIAL DIAMETERS TO BE MEASURED OVER MANDRELS,
 RING GAGES OR PIN GAGES OF SUITABLE SIZE

BASE MATERIAL:
 BASE MATERIAL U.L. RATING:
 VTE MATERIAL P/N:

GLASS-REINFORCED NYLON
 94 HB
 7111210502

VTE Incorporated
 5437 Robinson Road, P.O. Box 790
 Pellston, Michigan 49769
 Telephone: 1-800-527-9256, 231-539-8000
 FAX: 231-539-0914

REF: ***	DATE: 26FEB15	DRN BY: TJH	WEIGHT: ***
TITLE: 10MM POWER DISTRIBUTION STUD			SCALE:
MATERIAL:		PART NO.	
COLOR: RED	DRG CLASS: *****	77510M0N02	