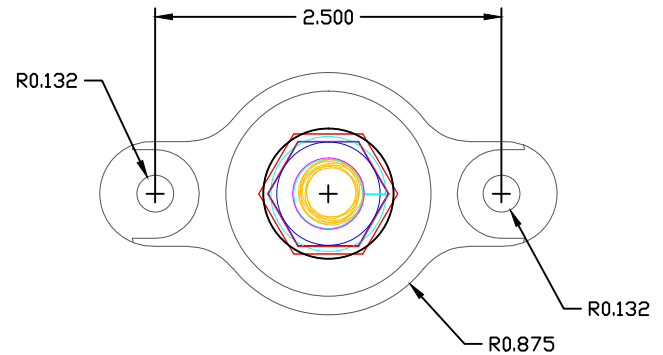
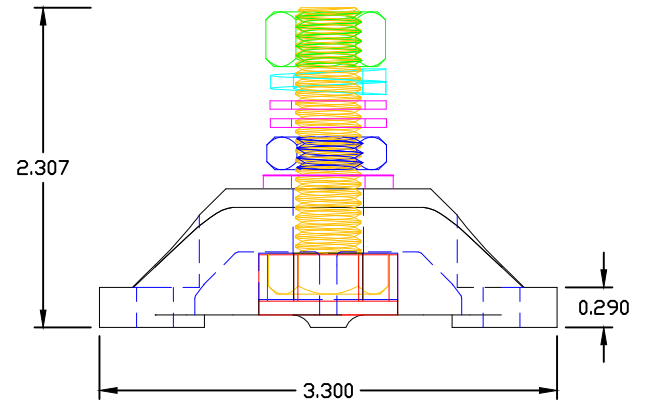
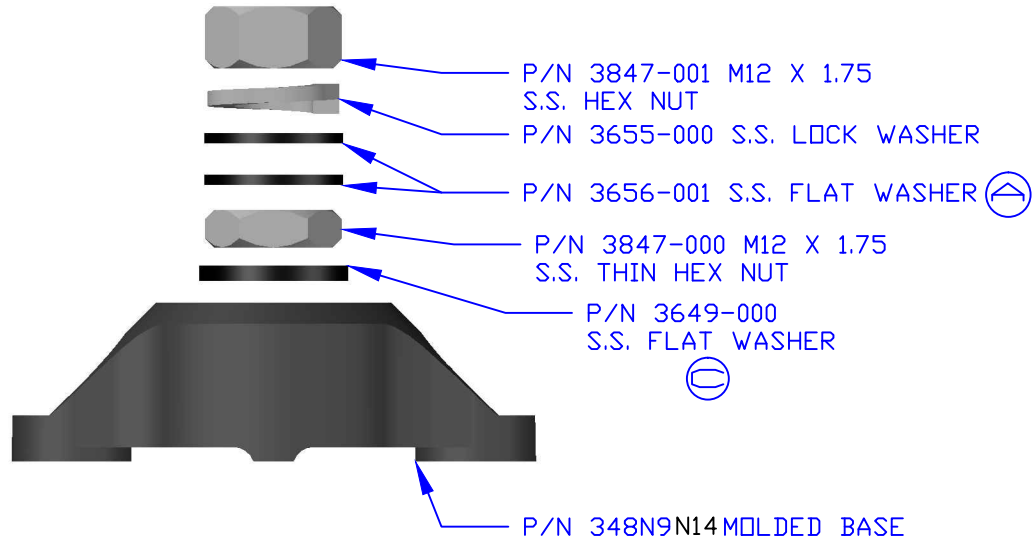
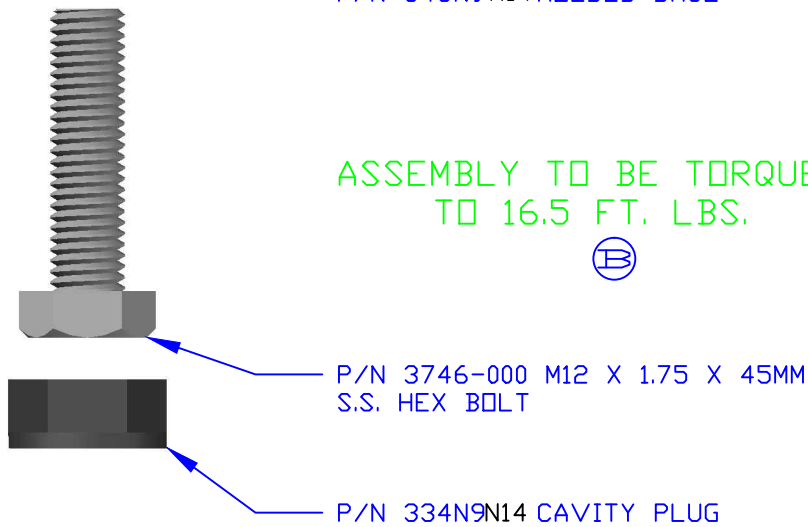


THE INFORMATION CONTAINED IN THIS DRAWING IS THE SOLE PROPERTY OF VTE INCORPORATED. ANY REPRODUCTION IN PART OR WHOLE WITHOUT THE WRITTEN PERMISSION OF VTE INCORPORATED IS PROHIBITED.

LTR.	REVISIONS	DATE	INT.
A	INCREASED WASHER QTY IN ASSY	12-12-15	RAS
B	CHANGED IN. LBS. TO FT. LBS.	12-23-15	RAS
C	REVISED WASHER DIMENSIONS	02-11-16	RAS



ASSEMBLY TO BE TORQUED
TO 16.5 FT. LBS.



TOLERANCE UNLESS OTHERWISE SPECIFIED:
MOLDED PRODUCTS ONLY: $\pm 0.30^\circ / \pm 0.8\text{mm}$
HARDWARE ITEMS: $\pm 0.010^\circ / \pm 0.25\text{mm}$
RADIAL DIAMETERS TO BE MEASURED OVER MANDRELS,
RING GAGES OR PIN GAGES OF SUITABLE SIZE

BASE MATERIAL:
BASE MATERIAL U.L. RATING:
VTE MATERIAL P/N:

GLASS-REINFORCED NYLON
94 HB
111210514

 **VTE Incorporated**
5437 Robinson Road, P.O. Box 790
Pellston, Michigan 49769
Telephone: 1-800-527-9256, 231-539-8000
FAX: 231-539-0914

REF: ***	DATE: 8DEC14	DRN BY: TJH	WEIGHT: ***
TITLE: 12MM POWER DISTRIBUTION STUD			SCALE:
MATERIAL:		PART NO.	
COLOR: BLACK	DRG CLASS: ****	77512M0N14	