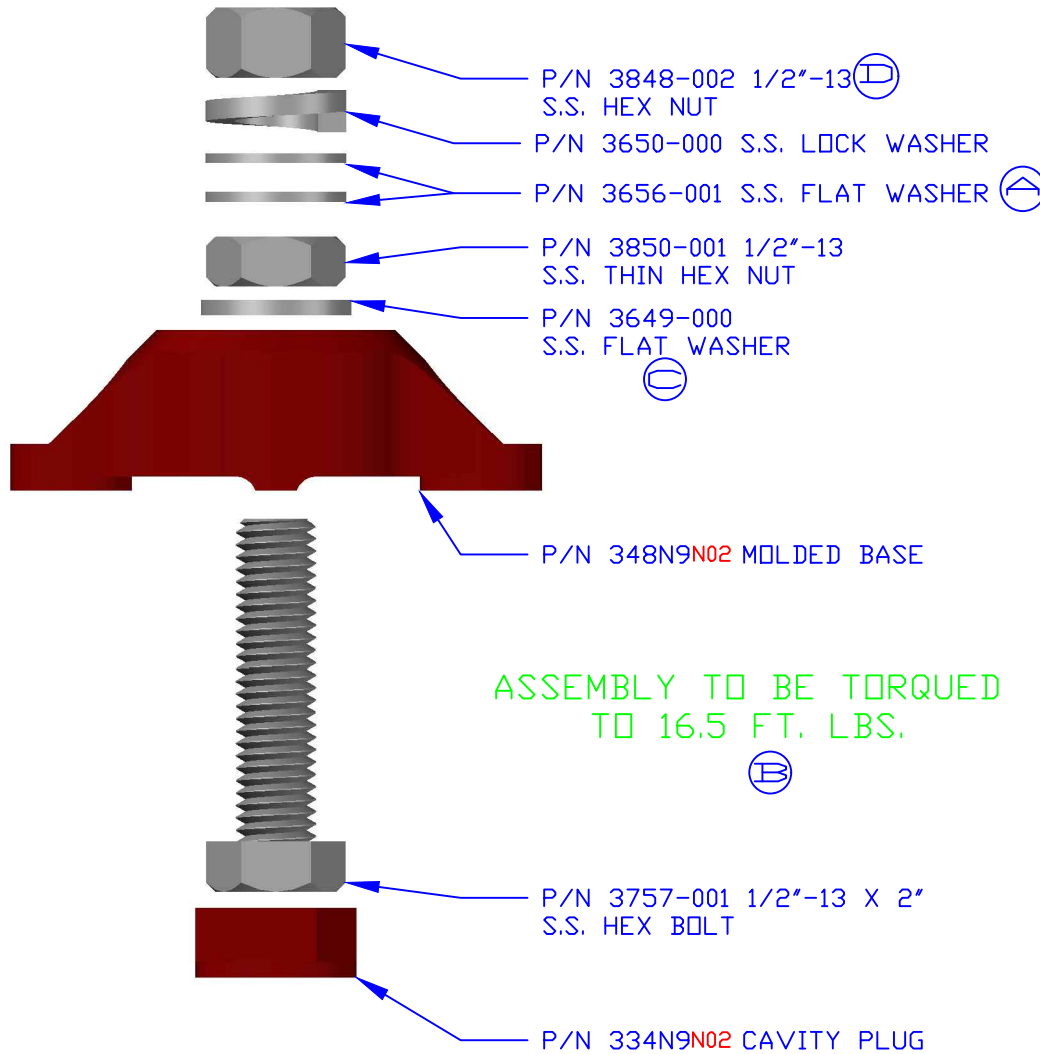
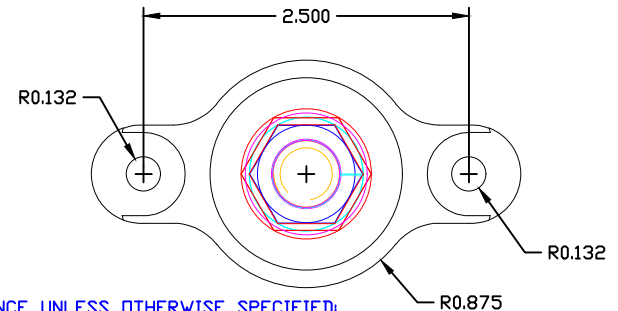
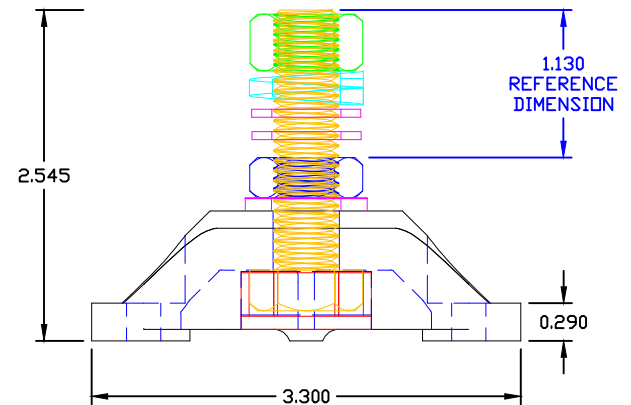


THE INFORMATION CONTAINED IN THIS DRAWING IS THE SOLE PROPERTY OF VTE INCORPORATED. ANY REPRODUCTION IN PART OR WHOLE WITHOUT THE WRITTEN PERMISSION OF VTE INCORPORATED IS PROHIBITED.

LTR.	REVISIONS	DATE	INT.
A	INCREASED WASHER QTY IN ASSY	12-12-15	RAS
B	CHANGED IN. LBS. TO FT. LBS.	12-23-15	RAS
C	REVISED WASHER DIMENSIONS	02-11-16	RAS
D	REPLACED P/N 3848-001 WITH 3848-002	03-29-16	RAS
E	UPDATED MATERIAL RATING	04-12-16	RAS



ASSEMBLY TO BE TORQUED TO 16.5 FT. LBS.



TOLERANCE UNLESS OTHERWISE SPECIFIED:
 MOLDED PRODUCTS ONLY: ±0.30°/±0.8mm
 HARDWARE ITEMS: ±0.010°/±0.25mm
 RADIAL DIAMETERS TO BE MEASURED OVER MANDRELS,
 RING GAGES OR PIN GAGES OF SUITABLE SIZE

VTE MATERIAL P/N:
 BASE MATERIAL:
 BASE MATERIAL U.L. RATING:
 HMIS RATING (FLAMMABILITY) :

7111210502
 GLASS-REINFORCED NYLON
 NOT RATED
 1

		VTE Incorporated 5437 Robinson Road, P.O. Box 790 Pellston, Michigan 49769 Telephone: 1-800-527-9256, 231-539-8000 FAX: 231-539-0914		
		REF: *****	DATE: 26FEB15	DRN BY: TJH
TITLE: 1/2" POWER DISTRIBUTION STUD				SCALE:
MATERIAL:		PART NO.		
COLOR: RED	DRG CLASS: *****	77512N0N02		