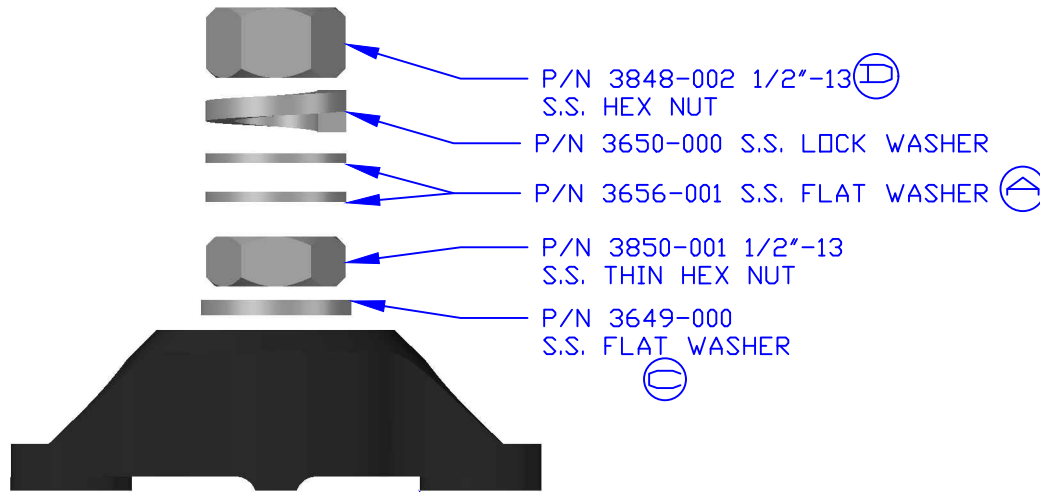


THE INFORMATION CONTAINED IN THIS DRAWING IS THE SOLE PROPERTY OF VTE INCORPORATED. ANY REPRODUCTION IN PART OR WHOLE WITHOUT THE WRITTEN PERMISSION OF VTE INCORPORATED IS PROHIBITED.

LTR.	REVISIONS	DATE	INT.
A	INCREASED WASHER QTY IN ASSY	12-12-15	RAS
B	CHANGED IN. LBS. TO FT. LBS.	12-23-15	RAS
C	REVISED WASHER DIMENSIONS	02-11-16	RAS
D	REPLACED P/N 3848-001 WITH 3848-002	03-29-16	RAS
E	UPDATED MATERIAL RATING	04-12-16	RAS



P/N 3848-002 1/2"-13  $\text{\textcircled{D}}$   
S.S. HEX NUT

P/N 3650-000 S.S. LOCK WASHER

P/N 3656-001 S.S. FLAT WASHER  $\text{\textcircled{A}}$

P/N 3850-001 1/2"-13  
S.S. THIN HEX NUT

P/N 3649-000  
S.S. FLAT WASHER  $\text{\textcircled{C}}$



ASSEMBLY TO BE TORQUED  
TO 16.5 FT. LBS.

$\text{\textcircled{B}}$



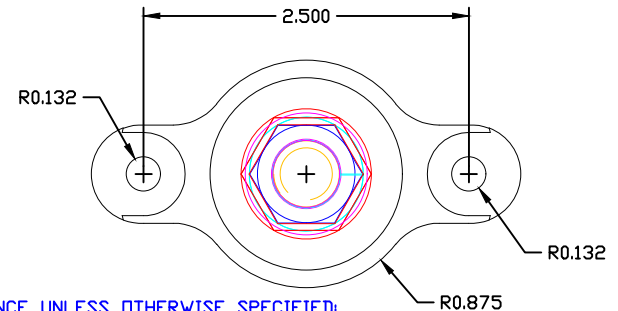
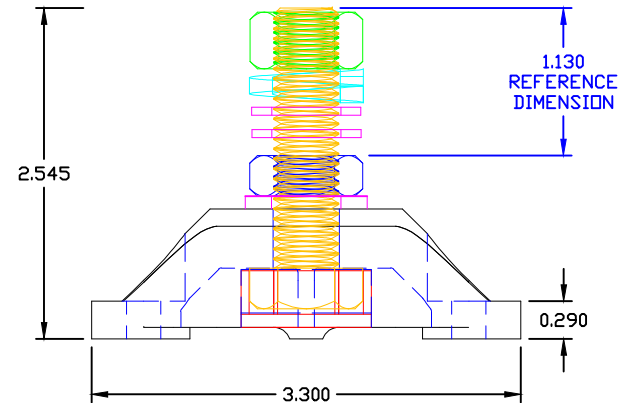
P/N 3757-001 1/2"-13 X 2"  
S.S. HEX BOLT




P/N 334N9N14 CAVITY PLUG

BASE MATERIAL:  
BASE MATERIAL U.L. RATING:  
VTE MATERIAL P/N:

GLASS-REINFORCED NYLON  
94 HB  
1111210514



TOLERANCE UNLESS OTHERWISE SPECIFIED:  
MOLDED PRODUCTS ONLY:  $\pm 0.30^\circ / \pm 0.8\text{mm}$   
HARDWARE ITEMS:  $\pm 0.010^\circ / \pm 0.25\text{mm}$   
RADIAL DIAMETERS TO BE MEASURED OVER MANDRELS,  
RING GAGES OR PIN GAGES OF SUITABLE SIZE

		<b>VTE Incorporated</b> 5437 Robinson Road, P.O. Box 790 Pellston, Michigan 49769 Telephone: 1-800-527-9256, 231-539-8000 FAX: 231-539-0914	
		REF: *****	DATE: 26FEB15
TITLE: 1/2" POWER DISTRIBUTION STUD			SCALE:
MATERIAL:		PART NO.	
COLOR: BLACK	DRG CLASS: *****	77512N0N14	