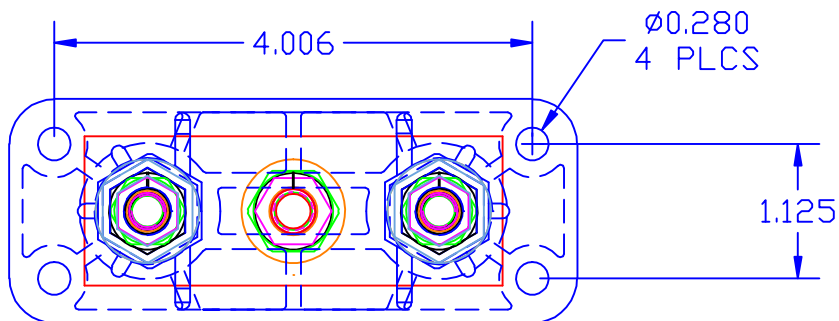
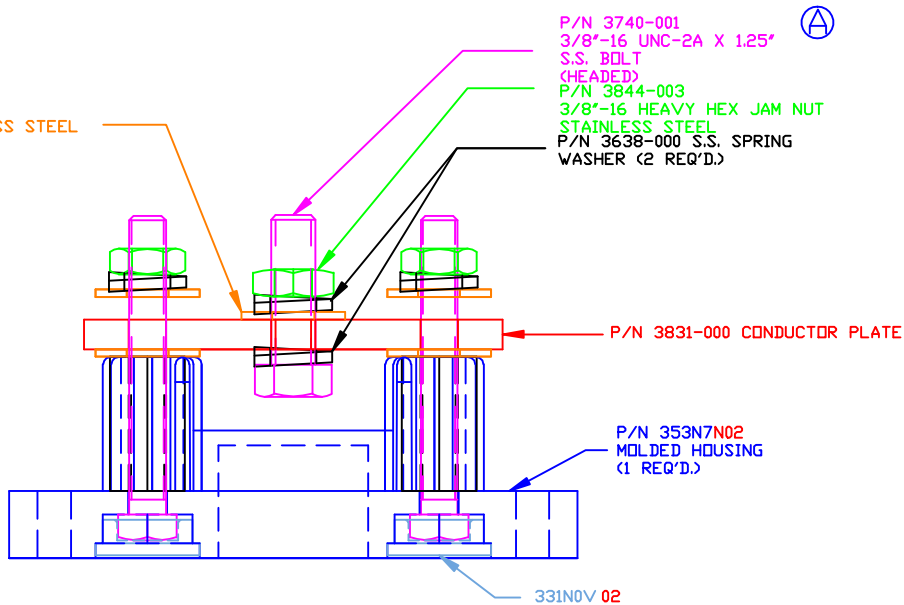


THE INFORMATION CONTAINED IN THIS DRAWING IS THE SOLE PROPERTY OF VTE INCORPORATED. ANY REPRODUCTION IN PART OR WHOLE WITHOUT THE WRITTEN PERMISSION OF VTE INCORPORATED IS PROHIBITED.

LTR.	REVISIONS	DATE
⤴	3740-001 WAS 3740-006	14APR08



P/N 3646-000  
18-8 STAINLESS STEEL  
FLAT WASHER



P/N 3740-001  
3/8"-16 UNC-2A X 1.25" Ⓐ  
S.S. BOLT  
(HEADED)  
P/N 3844-003  
3/8"-16 HEAVY HEX JAM NUT  
STAINLESS STEEL  
P/N 3638-000 S.S. SPRING  
WASHER (2 REQ'D.)

P/N 3831-000 CONDUCTOR PLATE

P/N 353N7N02  
MOLDED HOUSING  
(1 REQ'D.)

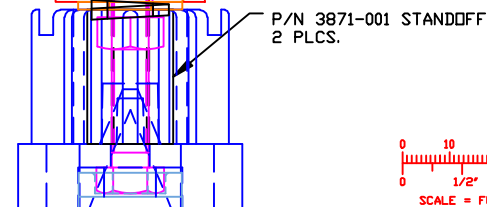
331N0V 02

P/N 3730-008  
5/16"-18 UNC X 2.5"  
FULLY THREADED STAINLESS  
STEEL BOLT 2 PLCS.

P/N 3843-001  
5/16"-18 HEAVY HEX JAM NUT  
STAINLESS STEEL 2 PLCS.

P/N 3642-000 5/16" STAINLESS STEEL  
SPRING WASHER 2 PLCS.

P/N 3645-000 STAINLESS STEEL  
FLAT WASHER 4 PLCS.



P/N 3871-001 STANDOFF  
2 PLCS.



TOLERANCE UNLESS OTHERWISE SPECIFIED:  
MOLDED PRODUCTS ONLY: ±.030"/±0.8mm  
HARDWARE ITEMS: ±.010"/±0.25mm  
RADIAL DIAMETERS TO BE MEASURED OVER MANDRELS,  
RING GAGES OR PIN GAGES OF SUITABLE SIZE

MAXIMUM AMPERAGE:  
RECOMMENDED MAXIMUM FASTENER TORQUE:

700 AMPS @12VDC  
3/8"-16 180 IN./LBS.  
5/16"-18 120 IN./LBS.

BASE MATERIAL:  
BASE MATERIAL U.L. RATING:

GLASS-REINFORCED NYLON  
94 HB

**VTE Incorporated**  
5437 Robinson Road, P.O. Box 790  
Pellston, Michigan 49769  
Telephone: 1-800-527-9256, 231-539-8000  
FAX: 231-539-0914

REF: ***	DATE: 26MAR08	DRN BY: BRH CHK'D BY: BRH	WEIGHT: ***
TITLE: BUS BAR, HI-AMP 3 POINT			SCALE:
MATERIAL:		PART NO.	
COLOR: RED	DRG CLASS: *****	7753N7N02	