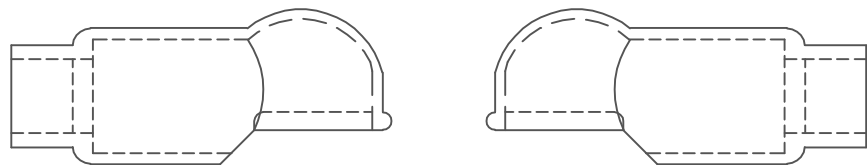
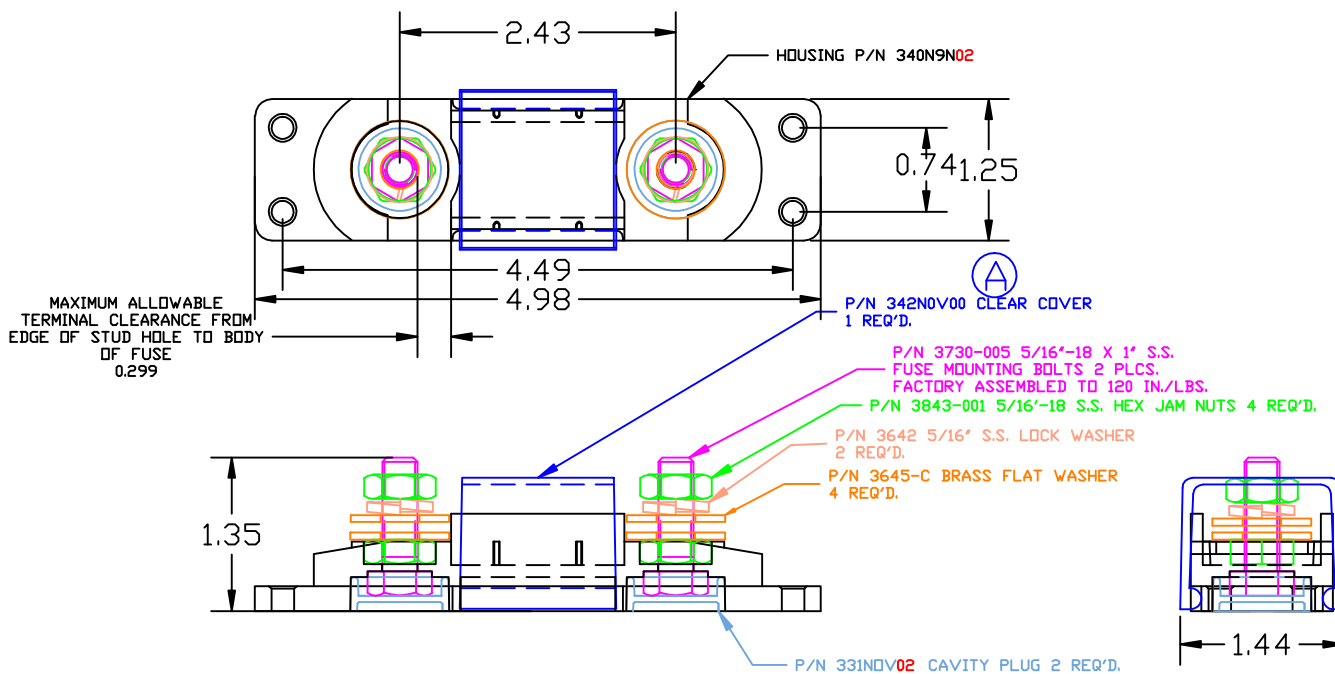


THE INFORMATION CONTAINED IN THIS DRAWING IS THE SOLE PROPERTY OF VTE INCORPORATED. ANY REPRODUCTION IN PART OR WHOLE WITHOUT THE WRITTEN PERMISSION OF VTE INCORPORATED IS PROHIBITED.

LTR.	REVISIONS	DATE
⤴	342N0V00 WAS 341N0V00	13MAR07



DO NOT SCALE

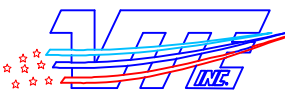
TOLERANCE UNLESS OTHERWISE SPECIFIED: ±0.30"/±0.8mm  
 RADIAL DIAMETERS TO BE MEASURED OVER MANDRELS,  
 RING GAGES OR PIN GAGES OF SUITABLE SIZE

FUSE NOT INCLUDED

ASSEMBLY INCLUDES:  
 2-487N8V02 INSULATORS

BASE MATERIAL:  
 BASE MATERIAL U.L. RATING:  
 BASE COLOR:

GLASS-REINFORCED NYLON  
 94 HB  
 RED

		<b>VTE Incorporated</b> 5437 Robinson Road, P.O. Box 790 Pellston, Michigan 49769 Telephone: 1-800-527-9256, 231-539-8000 FAX: 231-539-0914	
		REF: *****	DATE: 10NOV04
TITLE: ANL TYPE FUSE HOLDER			SCALE:
MATERIAL:		PART NO.	
COLOR: *****	DRG CLASS *****	ANB740N9N02	