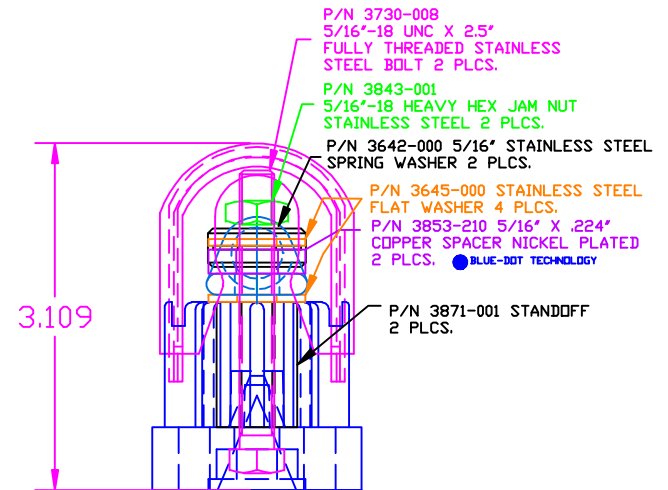
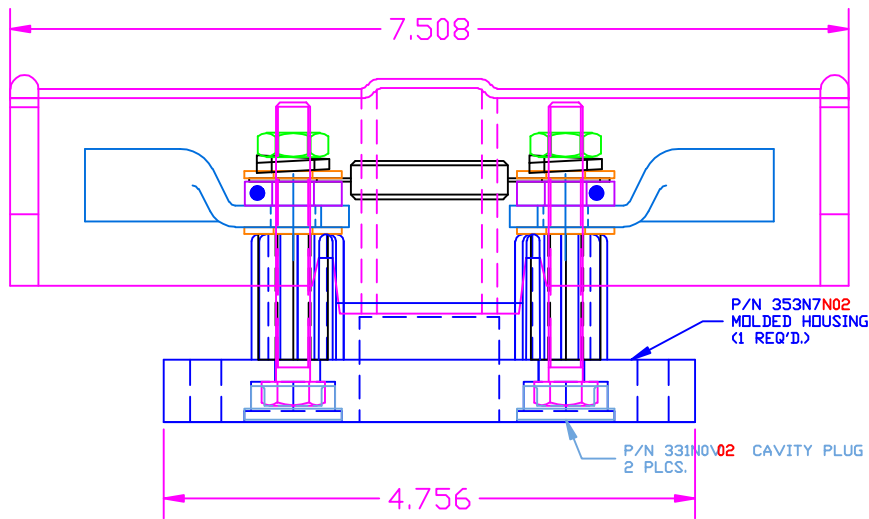
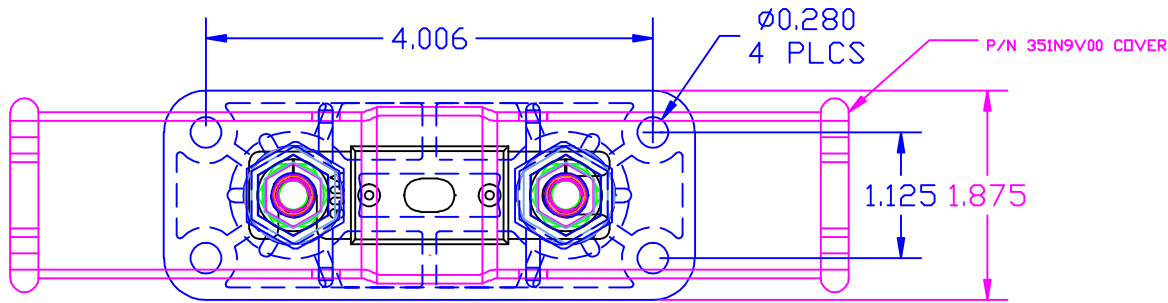


THE INFORMATION CONTAINED IN THIS DRAWING IS THE SOLE PROPERTY OF VTE INCORPORATED. ANY REPRODUCTION IN PART OR WHOLE WITHOUT THE WRITTEN PERMISSION OF VTE INCORPORATED IS PROHIBITED.

LTR.	REVISIONS	DATE
✖	✖ ✖ ✖ ✖ ✖ ✖ ✖	*****




TOLERANCE UNLESS OTHERWISE SPECIFIED: ±.030"/±0.8mm
 RADIAL DIAMETERS TO BE MEASURED OVER MANDRELS,
 RING GAGES OR PIN GAGES OF SUITABLE SIZE

INCLUDES ASSEMBLY INSTRUCTION SHEET P/N 16805050401
 FUSE AND LUG TERMINALS ARE NOT INCLUDED, (SHOWN FOR
 REFERENCE ONLY)

BASE MATERIAL:
 BASE MATERIAL U.L. RATING:
 VTE MATERIAL P/N:
 COVER MATERIAL:
 VTE MATERIAL P/N:

GLASS-REINFORCED NYLON
 94 HB
 7111210502
 CLEAR PVC
 1101800300



VTE Incorporated
 5437 Robinson Road, P.O. Box 790
 Pellston, Michigan 49769
 Telephone: 1-800-527-9256, 231-539-8000
 FAX: 231-539-0914

REF: *****	DATE: 20APR07	DRN BY: BRH CHK'D BY: BRH	WEIGHT: *****
TITLE: FUSE HOLDER, HIGH AMP ANL 5/16" STUDS			SCALE:
MATERIAL:		PART NO.	
COLOR: *****		ANB753N7N02	
DRG CLASS *****			