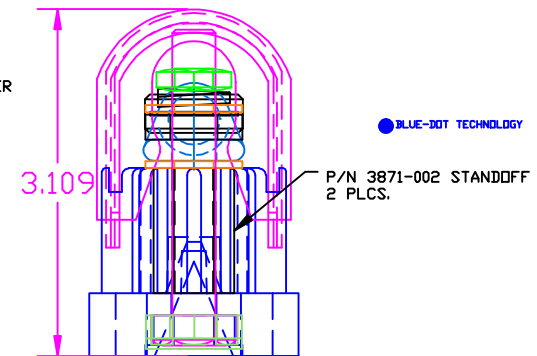
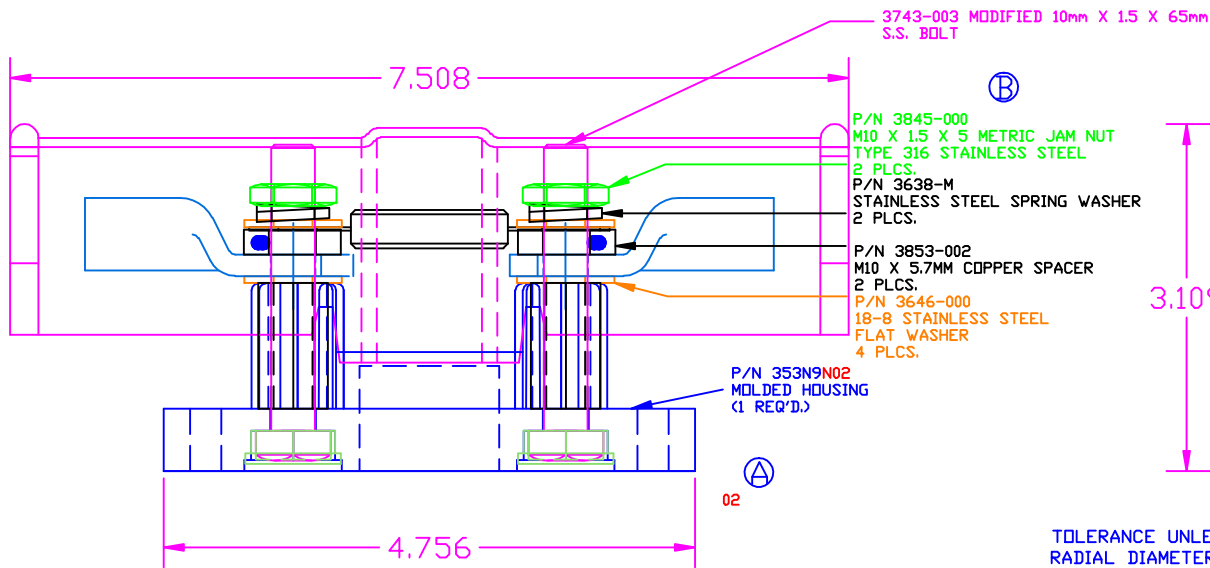
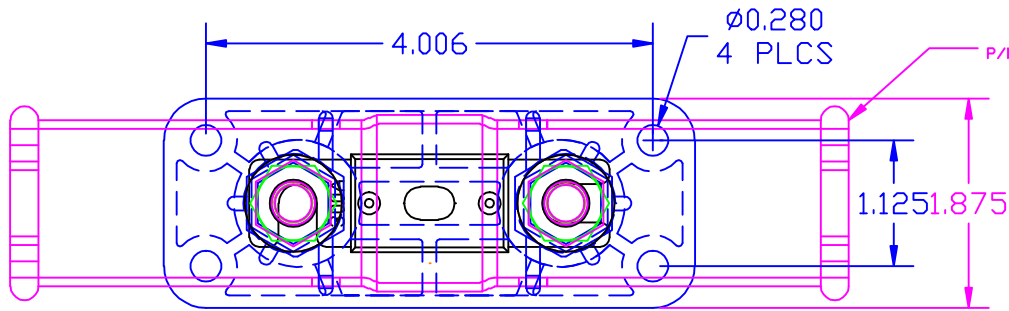


THE INFORMATION CONTAINED IN THIS DRAWING IS THE SOLE PROPERTY OF VTE INCORPORATED. ANY REPRODUCTION IN PART OR WHOLE WITHOUT THE WRITTEN PERMISSION OF VTE INCORPORATED IS PROHIBITED.

LTR.	REVISIONS	DATE
A	3743-003 WAS 3743-002, 333MOV** WAS 333X10N**	10JUL07
B	3638-M WAS 3642-000, 3646-000 WAS 3645-000 ADDED CALLOUT FOR 3743-003	15DEC09



TOLERANCE UNLESS OTHERWISE SPECIFIED: $\pm 0.30^\circ / \pm 0.8\text{mm}$
 RADIAL DIAMETERS TO BE MEASURED OVER MANDRELS,
 RING GAGES OR PIN GAGES OF SUITABLE SIZE

INCLUDES ASSEMBLY INSTRUCTION SHEET P/N 16805050401
 FUSE AND LUG TERMINALS ARE NOT INCLUDED, (SHOWN FOR REFERENCE ONLY)

BASE MATERIAL: GLASS-REINFORCED NYLON
 BASE MATERIAL U.L. RATING: 94 HB
 VTE MATERIAL P/N: 7111210502
 COVER MATERIAL: CLEAR PVC
 VTE MATERIAL P/N: 1101800300

VTE Incorporated
 5437 Robinson Road, P.O. Box 790
 Pellston, Michigan 49769
 Telephone: 1-800-527-9256, 231-539-8000
 FAX: 231-539-0914

REF: ***	DATE: 20APR07	DRN BY: BRH	WEIGHT: ***
TITLE: FUSE HOLDER, HIGH AMP ANL M10 STUDS			SCALE:
MATERIAL:		PART NO.	
COLOR: ***	DRG CLASS: ***	ANB753N9N02	