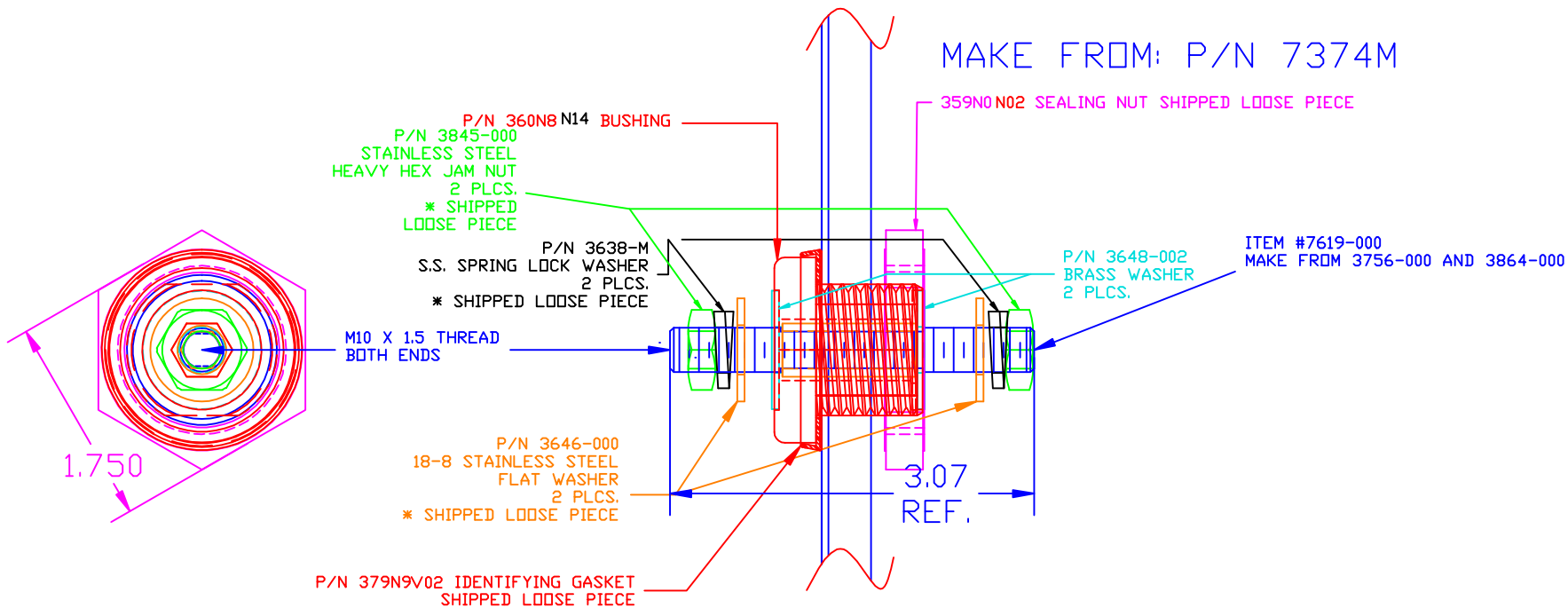


THE INFORMATION CONTAINED IN THIS DRAWING IS THE SOLE PROPERTY OF VTE INCORPORATED. ANY REPRODUCTION IN PART OR WHOLE WITHOUT THE WRITTEN PERMISSION OF VTE INCORPORATED IS PROHIBITED.

LTR.	REVISIONS	DATE



MAXIMUM FASTENER TORQUES:

JAM NUTS: 15 FT./LBS. (180 IN./LBS.)

SEALING NUT: 10 FT./LBS. (120 IN./LBS.)

CURRENT CARRYING CAPACITY: 350 AMPS @ 12VDC

BASE MATERIAL:

BASE MATERIAL U.L. RATING:

VTE MATERIAL P/N:

GLASS-REINFORCED NYLON

94 HB

1111210514

TOLERANCE UNLESS OTHERWISE SPECIFIED:
 MOLDED PRODUCTS ONLY: ±0.30°/±0.8mm
 HARDWARE ITEMS: ±0.010°/±0.25mm
 RADIAL DIAMETERS TO BE MEASURED OVER MANDRELS,
 RING GAGES OR PIN GAGES OF SUITABLE SIZE



VTE Incorporated
 5437 Robinson Road, P.O. Box 790
 Pellston, Michigan 49769
 Telephone: 1-800-527-9256, 231-539-8000
 FAX: 231-539-0914

REF: *****	DATE: 21JAN11	DRN BY: BRH	WEIGHT: *****
TITLE: POWER BUSHING, BRASS CORE 350 AMP (M10 X 1.5 METRIC)		CHK'D BY: BRH	SCALE:
MATERIAL:		PART NO. BCB374M0N02	
COLOR: *****	DRG CLASS *****		

