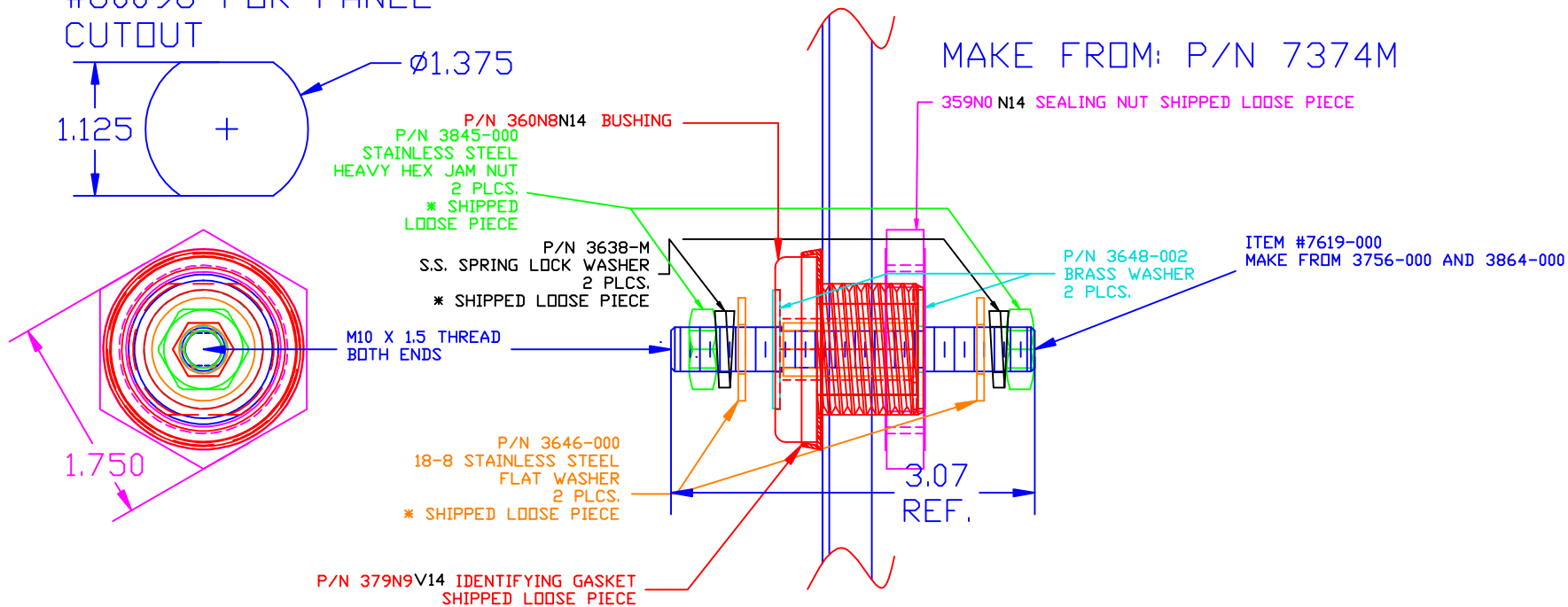


THE INFORMATION CONTAINED IN THIS DRAWING IS THE SOLE PROPERTY OF VTE INCORPORATED. ANY REPRODUCTION IN PART OR WHOLE WITHOUT THE WRITTEN PERMISSION OF VTE INCORPORATED IS PROHIBITED.

LTR.	REVISIONS	DATE

USE GREENLEE
PUNCH ASSEMBLY
#60098 FOR PANEL
CUTOUT



MAXIMUM FASTENER TORQUES:

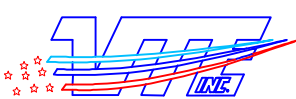
JAM NUTS: 15 FT./LBS. (180 IN./LBS.)

SEALING NUT: 10 FT./LBS. (120 IN./LBS.)

CURRENT CARRYING CAPACITY: 350 AMPS @ 12VDC

BASE MATERIAL: GLASS-REINFORCED NYLON
BASE MATERIAL U.L. RATING: 94 HB
VTE MATERIAL P/N: 1111210514

TOLERANCE UNLESS OTHERWISE SPECIFIED:
MOLDED PRODUCTS ONLY: ±0.30"/±0.8mm
HARDWARE ITEMS: ±0.010"/±0.25mm
RADIAL DIAMETERS TO BE MEASURED OVER MANDRELS,
RING GAGES OR PIN GAGES OF SUITABLE SIZE

		VTE Incorporated 5437 Robinson Road, P.O. Box 790 Pellston, Michigan 49769 Telephone: 1-800-527-9256, 231-539-8000 FAX: 231-539-0914	
		REF: *****	DATE: 21JAN11
TITLE: POWER BUSHING, BRASS CORE 350 AMP (M10 X 1.5 METRIC)		CHK'D BY: BRH	SCALE:
MATERIAL:		PART NO.	
COLOR: *****	DRG CLASS *****	BCB374M0N14	

