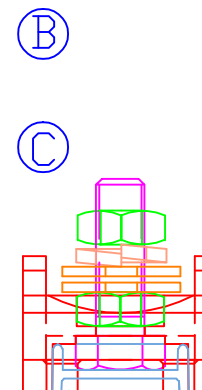
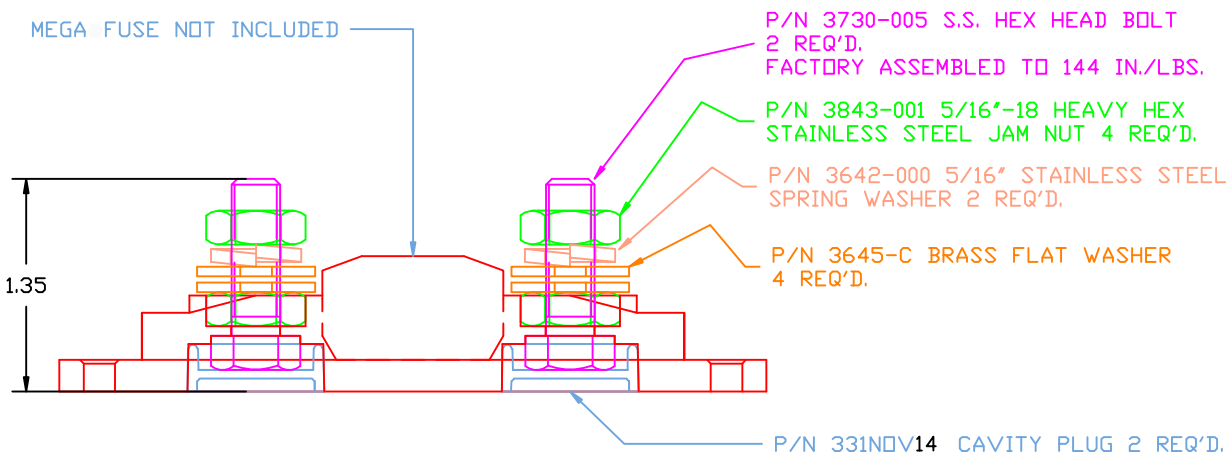
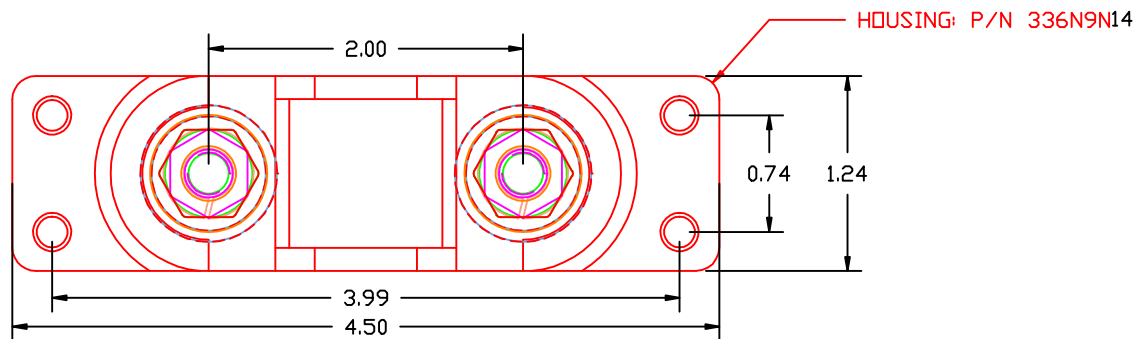


THE INFORMATION CONTAINED IN THIS DRAWING IS THE SOLE PROPERTY OF VTE INCORPORATED. ANY REPRODUCTION IN PART OR WHOLE WITHOUT THE WRITTEN PERMISSION OF VTE INCORPORATED IS PROHIBITED.


LTR.	REVISIONS	DATE
A	ADDED 3645-C FLATWASHER	30SEP04
B	3730-005 WAS 3730-004, 3843-000 WAS 3843A	20MAR06
C	3843-001 WAS 3843-000, 3642-000 WAS 3642-A	03APR06



FUSE NOT INCLUDED
ASSEMBLY INCLUDES:
2-405N9V14 TERMINAL INSULATORS

BASE MATERIAL: GLASS-REINFORCED NYLON
BASE MATERIAL U.L. RATING: 94 HB

TOLERANCE UNLESS OTHERWISE SPECIFIED: $\pm 0.30"/\pm 0.8\text{mm}$
RADIAL DIAMETERS TO BE MEASURED OVER MANDRELS,
RING GAGES OR PIN GAGES OF SUITABLE SIZE

		VTE Incorporated 5437 Robinson Road, P.O. Box 790 Pellston, Michigan 49769 Telephone: 1-800-527-9256, 231-539-8000 FAX: 231-539-0914	
		REF: *****	DATE: 28APR04
TITLE: MEGA FUSE HOLDER			SCALE:
MATERIAL:		PART NO.	
COLOR: *****	DRG CLASS *****	MFB736N9N14	