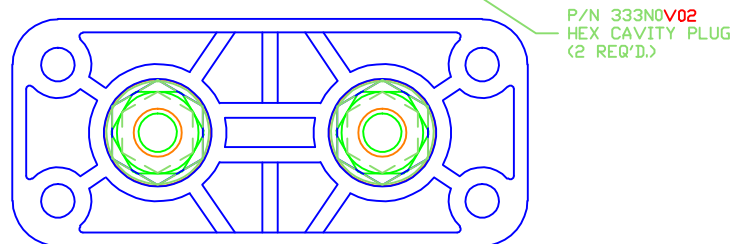
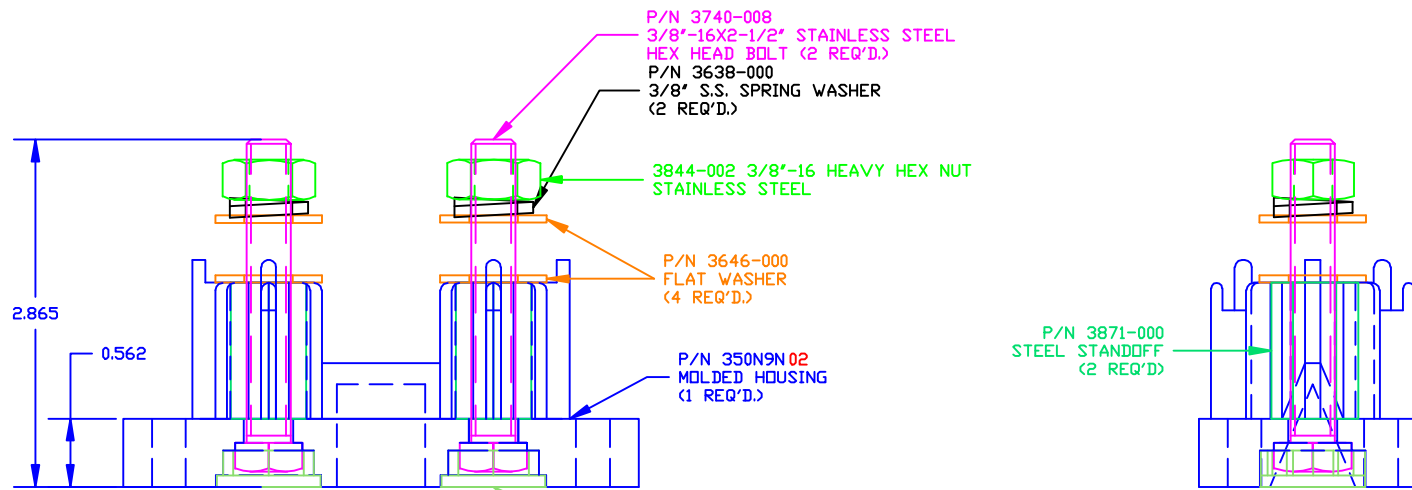
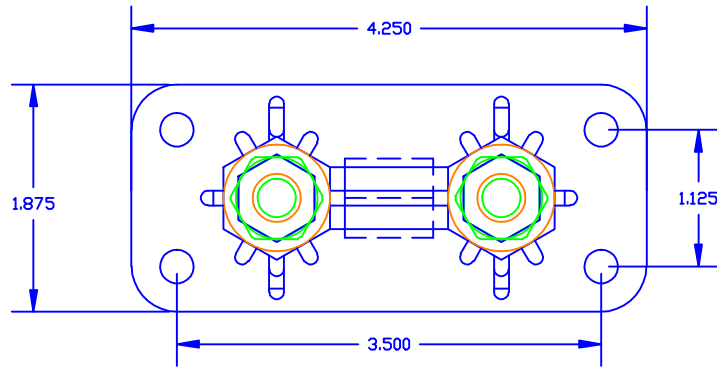


THE INFORMATION CONTAINED IN THIS DRAWING IS THE SOLE PROPERTY OF VTE INCORPORATED. ANY REPRODUCTION IN PART OR WHOLE WITHOUT THE WRITTEN PERMISSION OF VTE INCORPORATED IS PROHIBITED.

LTR.	REVISIONS	DATE
A	3740-006 WAS 3740-001	15NOV05
B	333N0 WAS 329N0, REM. 3740-006, 3740-007, ADDED 3740-008 AND 3844-002	08MAR06



BASE MATERIAL: GLASS-REINFORCED NYLON  
 BASE MATERIAL U.L. RATING: 94 HB  
 BASE COLOR: RED

TOLERANCE UNLESS OTHERWISE SPECIFIED:  $\pm 0.30^{\circ} / \pm 0.8\text{mm}$   
 RADIAL DIAMETERS TO BE MEASURED OVER MANDRELS,  
 RING GAGES OR PIN GAGES OF SUITABLE SIZE



VTE Incorporated  
 5437 Robinson Road, P.O. Box 790  
 Pellston, Michigan 49769  
 Telephone: 1-800-527-9256, 231-539-8000  
 FAX: 231-539-0914

REF: *****	DATE: 14JUN05	DRN BY: BRH	WEIGHT: *****
TITLE: 'T' CLASS FUSEHOLDER ASSY.			SCALE: NOTED
MATERIAL:		PART NO.	
COLOR: *****	DRG CLASS *****	TFB735N0N02	