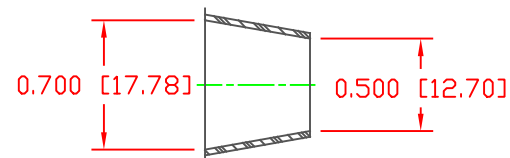
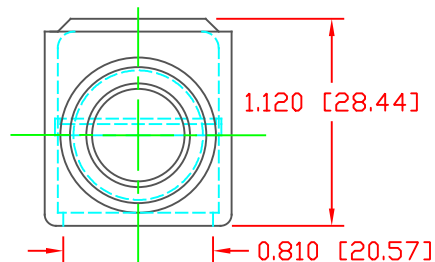
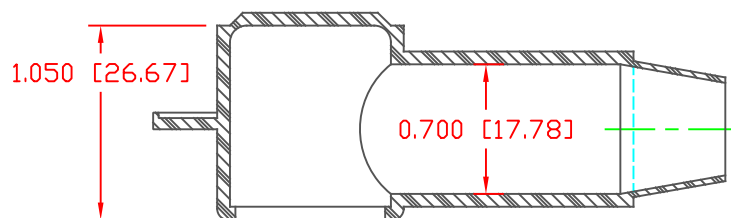


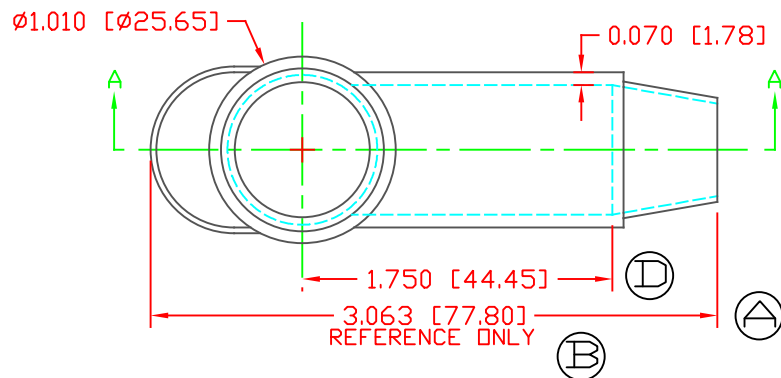
THE INFORMATION CONTAINED IN THIS DRAWING IS THE SOLE PROPERTY OF VTE INCORPORATED. ANY REPRODUCTION IN PART OR WHOLE WITHOUT THE WRITTEN PERMISSION OF VTE INCORPORATED IS PROHIBITED. VTE MAKES NO WARRANTY, EXPRESSED OR IMPLIED, AS TO THE SUITABILITY OF A PRODUCT FOR ANY INTENDED USE. THE CUSTOMER SHALL BEAR THE SOLE RESPONSIBILITY OF DETERMINING THE SUITABILITY OF ANY VTE PRODUCT FOR ITS END USE.

| LTR. | REVISIONS                         | DATE     | INT. |
|------|-----------------------------------|----------|------|
| A    | UPDATED DIMENSION 77.8 WAS 79.7   | 12-09-12 | JC   |
| B    | ADDED REFERENCE DIMENSION         | 02-25-16 | RAS  |
| C    | UPDATED BLUE MATERIAL INFORMATION | 08-01-22 | RAS  |
| D    | 1.750 [44.45] WAS 1.676 [42.57].  | 09-25-23 | RAS  |



SECTION A-A  
TYP. WALL THICKNESS = .070" [1.8]  
SEAL NO. 3 SHOWN


SEAL THICKNESS = .030" [.8]  
NO. 3  
Cable Gages  
2 - 2/0



SCALE FACTOR : NONE  
ALL DIMENSIONS GIVEN AS: in [mm]  
TOLERANCES UNLESS OTHERWISE SPECIFIED :  
MOLDED PARTS: ±.030" [±0.8mm]  
ALL ANGLES ARE ± 1 DEGREE

|                             |                       |
|-----------------------------|-----------------------|
| MATERIAL PART NO:           | 1101650114            |
| MATERIAL:                   | PVC                   |
| VENDOR PART NO:             | 9812-65-BLACK         |
| SHORE DUROMETER:            | "A" 10 SEC. 65        |
| SPECIFIC GRAVITY:           | 1.34                  |
| ULT. ELONGATION %:          | 400                   |
| MELTING TEMP:               | 315-335 F [157-168 C] |
| BRITTLE TEMP:               | -54 F [-48 C]         |
| Tensile Strength PSI:       | 1550 PSI              |
| Dielectric Strength, v./mil | 453                   |
| U.L. Rating:                | V2                    |

DO NOT SCALE

|   |          |   |       |                   |
|---|----------|---|-------|-------------------|
|  |          | <b>VTE Incorporated</b><br>5437 Robinson Road, P.O. Box 790<br>Pellston, Michigan 49769<br>Telephone: 1-800-527-9256, 231-539-8000<br>FAX: 231-539-0914 |       |                   |
|   |          | REF:  | DATE: | DRN BY:           |
| CUSTOMER DIMS   | 03-24-98 | CHK'D BY:   | JC    | .025 LBS [11.5 g] |
| TITLE: TERMINAL INSULATOR CAP   |          |   |       |                   |
| MATERIAL: PVC   |          | PART NO.  |       |                   |
| COLOR: BLACK  |          | 222E3V14  |       |                   |
| DRG CLASS   |          | REV D   |       |                   |