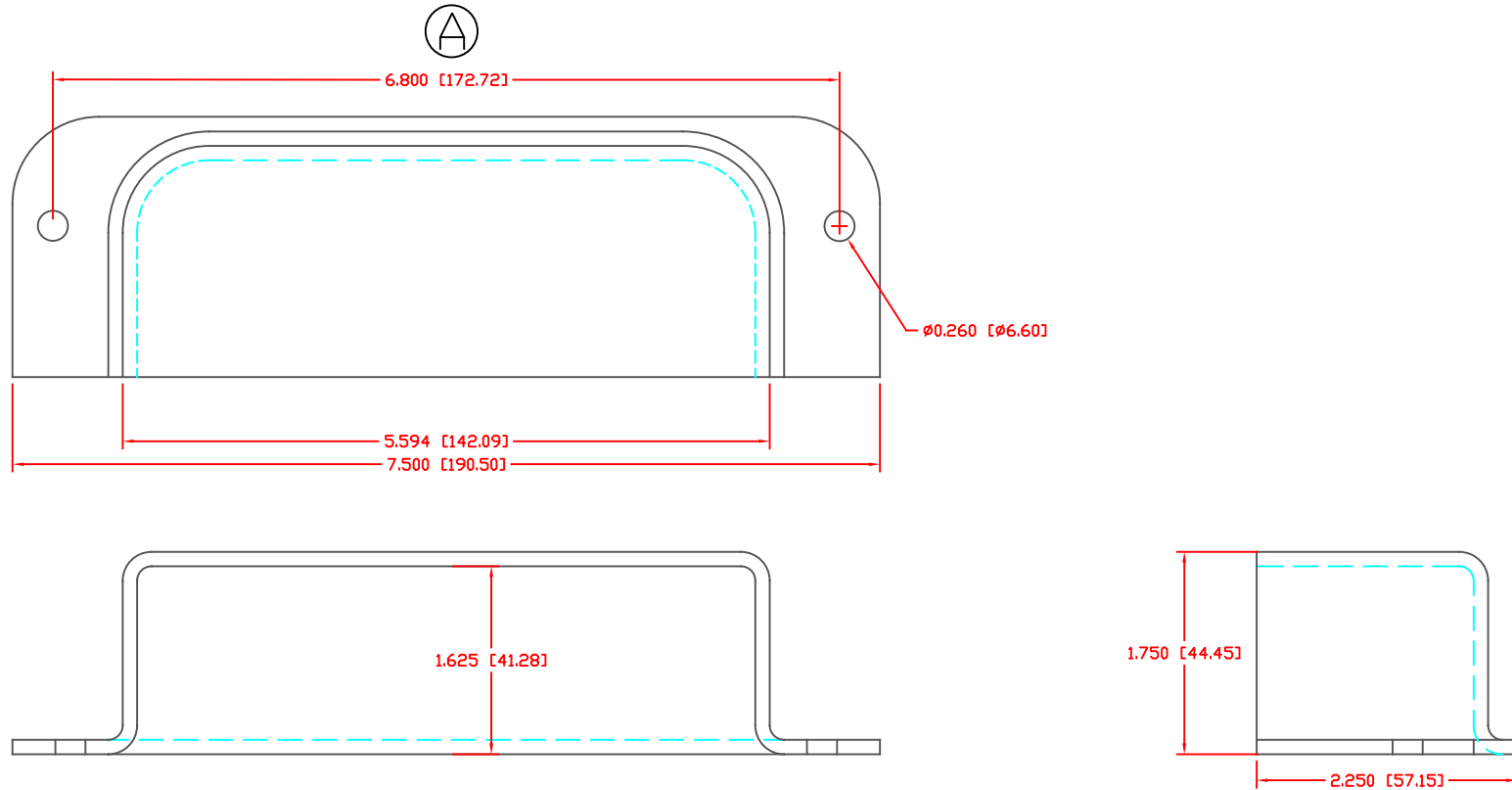


THE INFORMATION CONTAINED IN THIS DRAWING IS THE SOLE PROPERTY OF VTE INCORPORATED. ANY REPRODUCTION IN PART OR WHOLE WITHOUT THE WRITTEN PERMISSION OF VTE INCORPORATED IS PROHIBITED. VTE MAKES NO WARRANTY, EXPRESSED OR IMPLIED, AS TO THE SUITABILITY OF A PRODUCT FOR ANY INTENDED USE. THE CUSTOMER SHALL BEAR THE SOLE RESPONSIBILITY OF DETERMINING THE SUITABILITY OF ANY VTE PRODUCT FOR ITS END USE.


LTR.	REVISIONS	DATE	INT.
A	6.8 WAS 6.75	11-27-12	BRH
B	MATERIAL WAS CLEAR PVC	07-15-15	BRH



VTE PART NO:
MATERIAL:
VENDOR PART NO:
SPECIFIC GRAVITY:
MELTING TEMP:

1209650300
POLYPROPYLENE
COPYLENE
.88-.92
248 F [120 C]

DO NOT SCALE

		VTE Incorporated 5437 Robinson Road, P.O. Box 790 Pellston, Michigan 49769 Telephone: 1-800-527-9256, 231-539-8000 FAX: 231-539-0914			
		REF:	DATE:	DRN BY:	BRH
CUSTOMER DIMS	06-01-06	CHK'D BY:	BRH	.176 LBS [79.6 g]	
TITLE: COVER-4 POINT DISTRIBUTION BLOCK					
MATERIAL: POLYPROPYLENE				PART NO.	
COLOR: CLEAR	DRG CLASS	REV B		314N0P00	