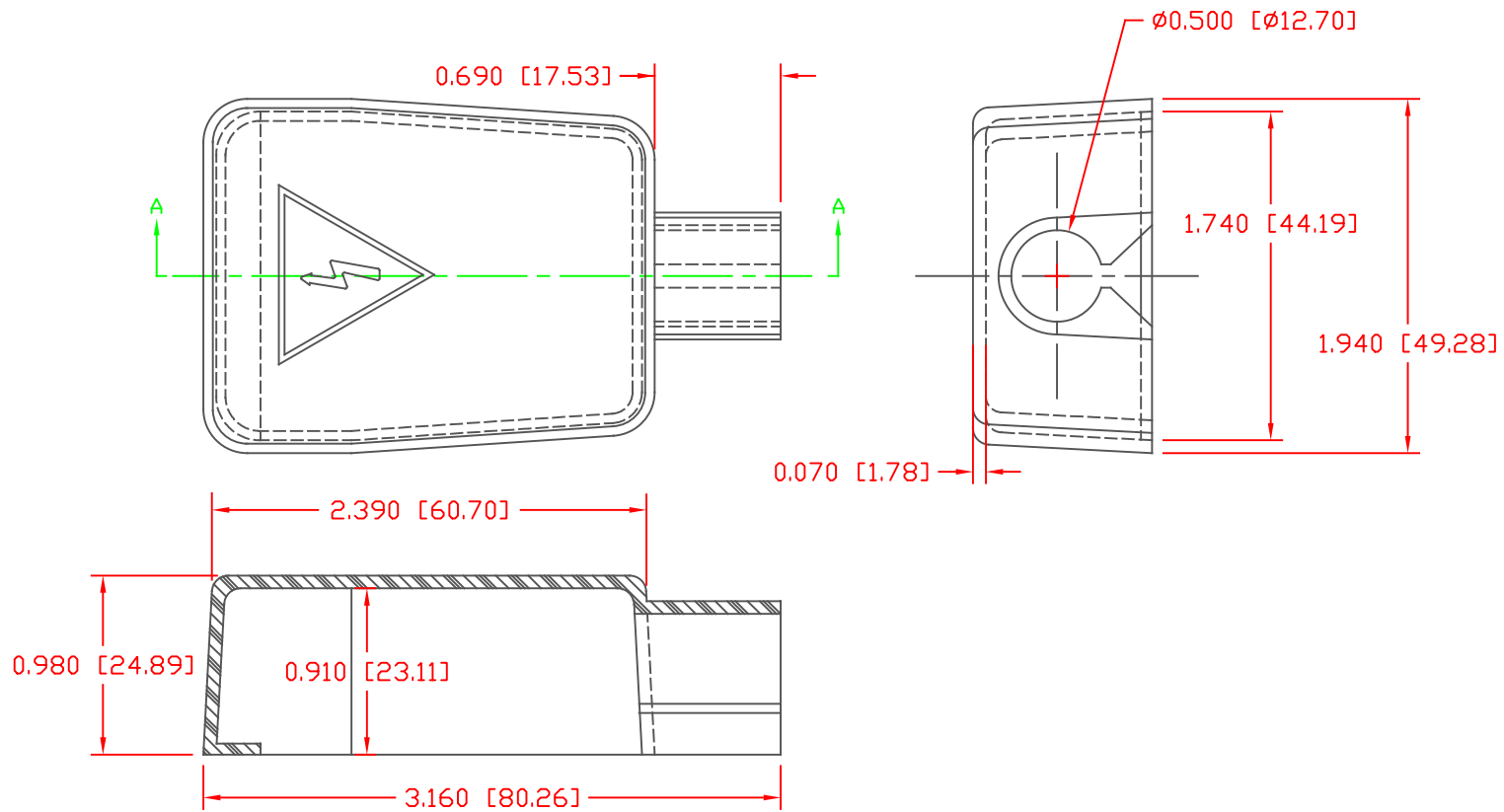


THE INFORMATION CONTAINED IN THIS DRAWING IS THE SOLE PROPERTY OF VTE INCORPORATED. ANY REPRODUCTION IN PART OR WHOLE WITHOUT THE WRITTEN PERMISSION OF VTE INCORPORATED IS PROHIBITED. VTE MAKES NO WARRANTY, EXPRESSED OR IMPLIED, AS TO THE SUITABILITY OF A PRODUCT FOR ANY INTENDED USE. THE CUSTOMER SHALL BEAR THE SOLE RESPONSIBILITY OF DETERMINING THE SUITABILITY OF ANY VTE PRODUCT FOR ITS END USE.

LTR.	REVISIONS	DATE	INT.
△	ADDED ELECTRICAL SYMBOL	8-18-23	RAS




SECTION A-A  
TYP. WALL THICKNESS = .070" [1.8]

ALL DIMENSIONS GIVEN AS: In [mm]  
MOLDED PARTS:  $\pm 0.030$ " [ $\pm 0.8$ mm]  
HARDWARE ITEMS:  $\pm 0.010$ " [ $\pm 0.25$ mm]

VTE PART NO:	1101950102
MATERIAL:	PVC
VENDOR PART NO:	9812-95-RED 683
SHORE DUROMETER:	"A" 10 SEC. 95
SPECIFIC GRAVITY:	1.49
ULT. ELONGATION %:	200
MELTING TEMP:	345-365 F [174-185 C]
TENSILE STRENGTH PSI:	2100
DIELECTRIC STRENGTH, V./mil:	438
U.L. RATING:	V2

DO NOT SCALE

		<b>VTE Incorporated</b> 5437 Robinson Road, P.O. Box 790 Pellston, Michigan 49769 Telephone: 1-800-527-9256, 231-539-8000 FAX: 231-539-0914		
		REF:	DATE:	DRN BY:
CUSTOMER DIMS	03-30-98	CHK'D BY:	JC	.050 LBS [22.3 g]
TITLE:		INSULATED TERMINAL COVER		
MATERIAL:	PVC	PART NO.		
COLOR:	RED	417N9V02		
	DRG CLASS	REV A		