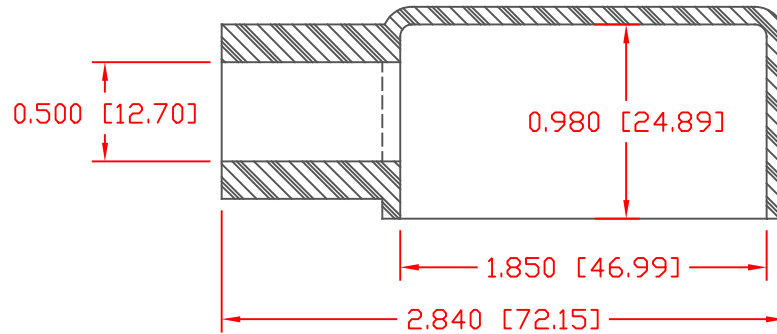
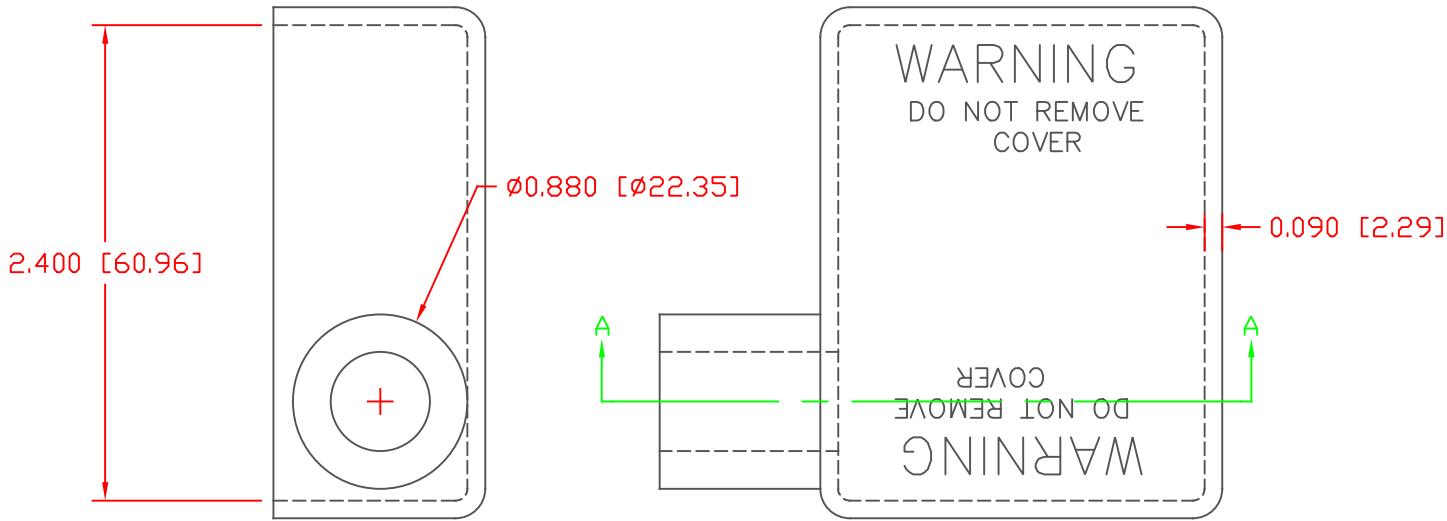


PROPRIETARY RIGHTS ARE CLAIMED FOR THE MATERIAL DISCLOSED IN THIS DRAWING.

LTR.	REVISIONS	DATE



TYP. WALL THICKNESS = 2.3

TOLERANCE UNLESS OTHERWISE SPECIFIED: ±.030"/±0.8mm
 RADIAL DIAMETERS TO BE MEASURED OVER MANDRELS,
 RING GAGES OR PIN GAGES OF SUITABLE SIZE

SECTION A-A

VTE Material Part No:
 Material:
 Material Part No:
 Max. Operating Temp:
 Shore Durometer:
 Specific Gravity:
 Ult. Elongation %:
 Brittle Temp:
 Tensile Strength PSI:

1101650114
 BLACK PVC
 9812-65
 105 C
 "A" 10 SEC. 67/63
 1.33
 520
 -36 C
 1563 PSI

U.L. Rating:
 MEETS:

94 V2
 FMVSS.302



VTE Incorporated
 5437 Robinson Road, P.O. Box 790
 Pellston, Michigan 49769
 Telephone: 1-800-527-9256, 231-539-8000
 FAX: 231-539-0914

REF:	DATE: 4-6-98	DRN BY: JC	WEIGHT:
		CHK'D BY:	.078 LBS. / 35.5 G.
TITLE: BATTERY CABLE BOOT			
MATERIAL: PVC	PART NO. LEFT HAND		
COLOR: BLACK	DRG CLASS	500L7V14	