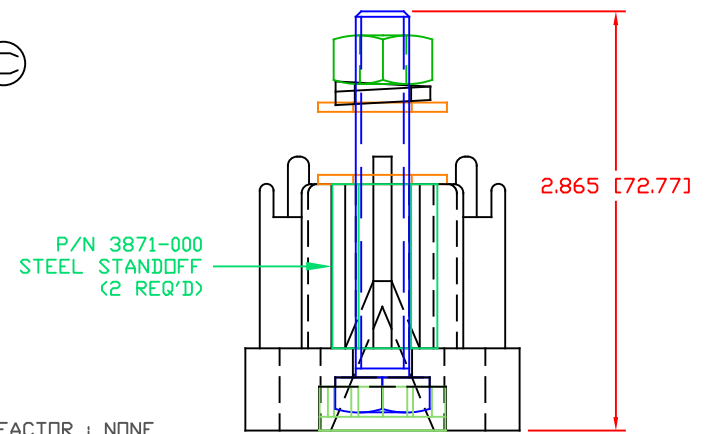
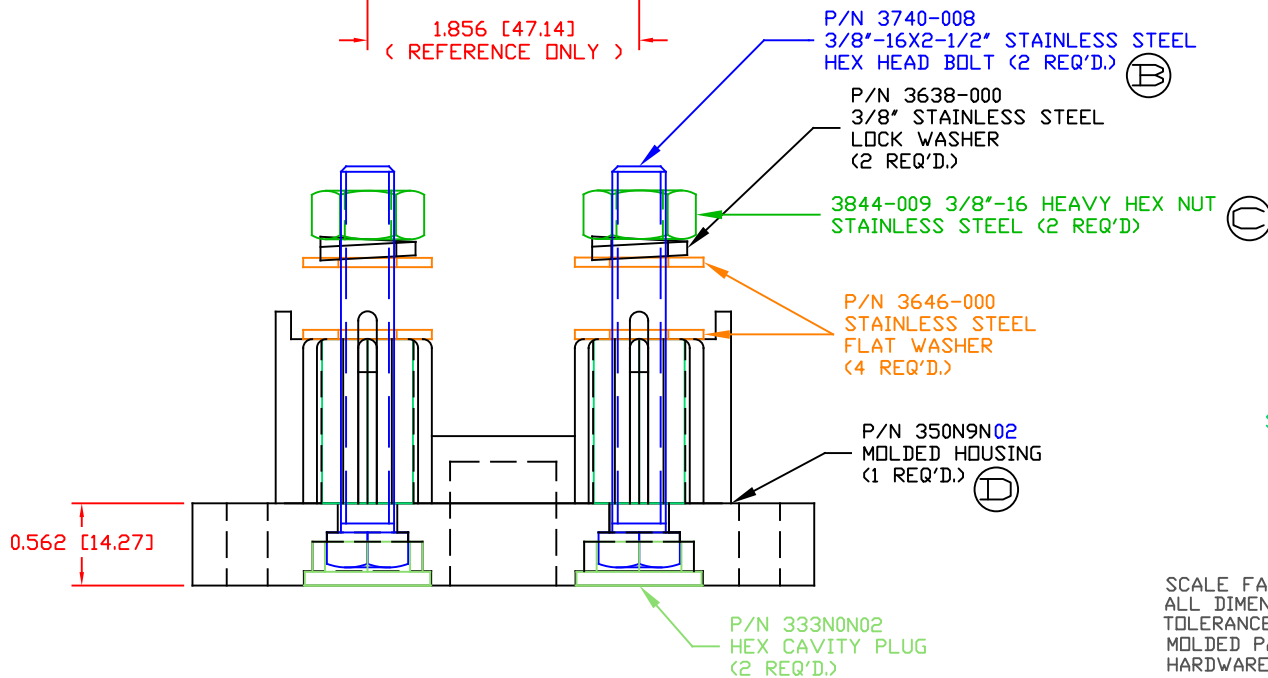
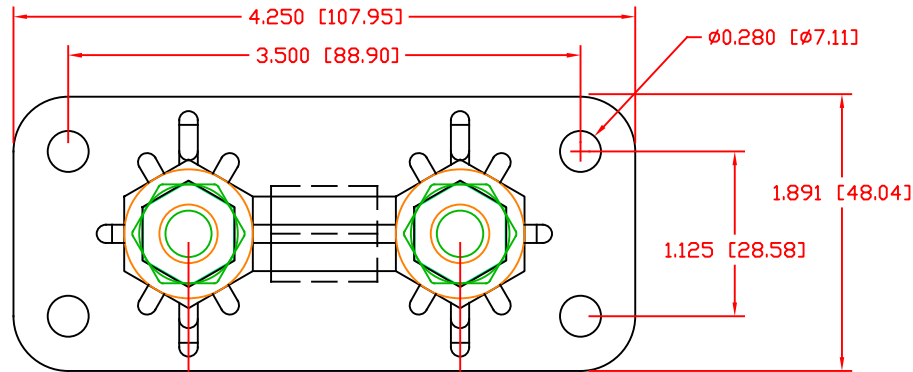


THE INFORMATION CONTAINED IN THIS DRAWING IS THE SOLE PROPERTY OF VTE INCORPORATED. ANY REPRODUCTION IN PART OR WHOLE WITHOUT THE WRITTEN PERMISSION OF VTE INCORPORATED IS PROHIBITED. VTE MAKES NO WARRANTY, EXPRESSED OR IMPLIED, AS TO THE SUITABILITY OF A PRODUCT FOR ANY INTENDED USE. THE CUSTOMER SHALL BEAR THE SOLE RESPONSIBILITY OF DETERMINING THE SUITABILITY OF ANY VTE PRODUCT FOR ITS END USE.

LTR.	REVISIONS	DATE	INT.
A	3740-006 WAS 3740-001	11-15-05	BRH
B	333NO WAS 329NO, REN. 3740-006, 3740-007, ADDED 3740-008 AND 3844-002	03-08-06	BRH
C	REPLACED P/N 3844-002 WITH P/N 3844-009	03-18-16	RAS
D	PN 333NOV02 TO 330NONO2	03-24-17	JMM
E	ADDED ADDITIONAL INFORMATION FOR PROPER USE	2-16-18	RAS



SCALE FACTOR : NONE
 ALL DIMENSIONS GIVEN AS: in [mm]
 TOLERANCES UNLESS OTHERWISE SPECIFIED :
 MOLDED PARTS: ±.030" [±0.8mm]
 HARDWARE ITEMS: ±.010" [±0.25mm]

ⓔ MAXIMUM AMPERAGE: 400 AMPS @ 12VDC
 MAXIMUM VOLTAGE: 48VDC
 MAXIMUM RECOMMENDED FASTENER TORQUE:
 STAINLESS HEAVY HEX NUT: 180 IN./LBS. [20.3 Nm]

MATERIAL PART NO: 7111210502
 MATERIAL: GLASS FILLED NYLON
 VENDOR PART NO: HYLON N2015 HL NAT
 SPECIFIC GRAVITY: 1.23
 MELTING TEMP: 515 F [268 C]
 U.L. RATING: UL 94 HB

VTE Incorporated
 5437 Robinson Road, P.O. Box 790
 Pellston, Michigan 49769
 Telephone: 1-800-527-9256, 231-539-8000
 FAX: 231-539-0914

REF: TFB SERIES	DATE: 06-14-05	DRN BY: BRH CHK'D BY: BRH	WEIGHT: .57 Lbs. [258.7 g]
TITLE: "T" CLASS FUSEHOLDER ASSY.			SCALE: NONE
MATERIAL: COLOR: RED		PART NO. TFB735N0N02	
DRG CLASS REV E			