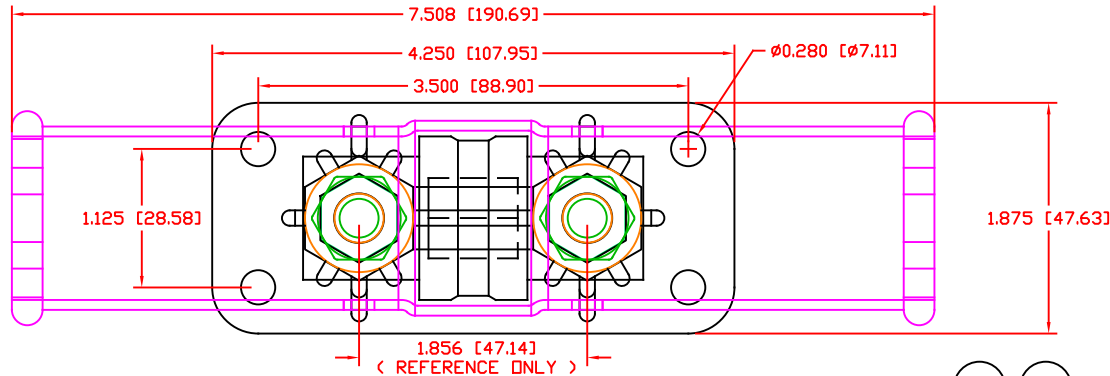


THE INFORMATION CONTAINED IN THIS DRAWING IS THE SOLE PROPERTY OF VTE INCORPORATED. ANY REPRODUCTION IN PART OR WHOLE WITHOUT THE WRITTEN PERMISSION OF VTE INCORPORATED IS PROHIBITED. VTE MAKES NO WARRANTY, EXPRESSED OR IMPLIED, AS TO THE SUITABILITY OF A PRODUCT FOR ANY INTENDED USE. THE CUSTOMER SHALL BEAR THE SOLE RESPONSIBILITY OF DETERMINING THE SUITABILITY OF ANY VTE PRODUCT FOR ITS END USE.



P/N 3740-008
3/8"-16X2-1/2" STAINLESS STEEL
HEX HEAD BOLT (2 REQ'D.)

P/N 751N8P00 ASSEMBLY
CLEAR MOLDED COVER
CONTAINS PART#S : 351N8P00
16803040001

P/N 3638-000
3/8" S.S. SPRING WASHER
(2 REQ'D.)

3844-009 3/8"-16 HEAVY HEX NUT
STAINLESS STEEL

P/N 3646-000
STAINLESS STEEL FLAT WASHER
(4 REQ'D.)

P/N 350N9N02
MOLDED HOUSING
(1 REQ'D.)

R0.363 [R9.21]

P/N 3871-000
STEEL STANDOFF
(2 REQ'D.)

3.105 [78.85]

P/N 333N0N02
HEX CAVITY PLUG
(2 REQ'D.)

SCALE FACTOR : NONE
ALL DIMENSIONS GIVEN AS: In [mm]
TOLERANCES UNLESS OTHERWISE SPECIFIED :
MOLDED PARTS: ±.030" [±0.8mm]
HARDWARE ITEMS: ±.010" [±0.25mm]

FUSE NOT INCLUDED
SHOWN FOR ILLUSTRATIVE PURPOSES ONLY
MAXIMUM AMPERAGE: 400 AMPS @ 12VDC
MAXIMUM VOLTAGE: 48VDC

MAXIMUM RECOMMENDED FASTENER TORQUE:
STAINLESS HEAVY HEX NUT: 180 IN./LBS. [20.3 Nm]

MATERIAL PART NO: 7111210502
MATERIAL: GLASS FILLED NYLON
VENDOR PART NO: NYLON N2015 HL NAT
SPECIFIC GRAVITY: 1.23
MELTING TEMP: 515 F [268 C]
U.L. RATING: UL 94 HB

LTR.	REVISIONS	DATE	INT.
A	3740-006 WAS 3740-001	11-15-05	BRH
B	333NO WAS 329NO, REN. 3740-006, 3740-007, ADDED 3740-008 AND 3844-002	3-08-06	BRH
C	351N8P00 WAS 351N8V00	7-30-15	BRH
D	REPLACED P/N 3844-002 WITH P/N 3844-009	3-18-16	RAS
E	PN 333NOV** CHANGED TO 333NON**	3-17-17	RAS
F	UPDATED COVER INFO	3-17-17	RAS
G	ADDED ADDITIONAL INFORMATION FOR PROPER USE	2-16-18	RAS



VTE Incorporated
5437 Robinson Road, P.O. Box 790
Pellston, Michigan 49769
Telephone: 1-800-527-9256, 231-539-8000
FAX: 231-539-0914

REF:	DATE: 6-14-05	DRN BY: BRH	WEIGHT:
TITLE: 'T' CLASS FUSEHOLDER ASSY.		CHK'D BY: BRH	SCALE:
MATERIAL:		PART NO.	
COLOR:	DRG CLASS REV G	TFB735N8N02	